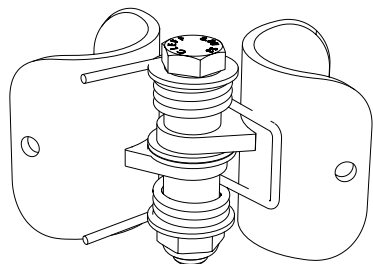


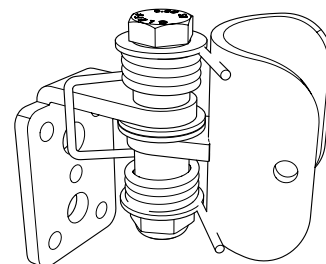
	Part	Part. no.
1	Outer hoop	UG6090-01
2	Inner hoop	UG6090-03
3	Hinge	GJ4200
4	Hinge wall	GJ4202

	Part	Part. no.
5	Lock plate	BX0004
6	Bolt	BU1020
7	Nut	MU1000
8	Box lock	BX0001

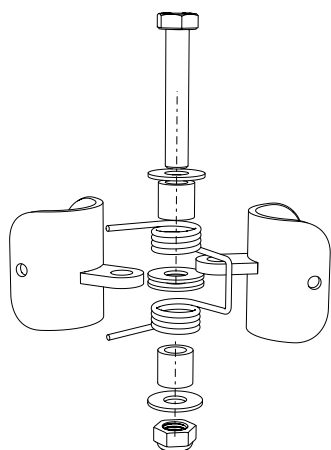
	Part	Part. no.
9	Staps	SS5522
10	Bracket Box Lock	BX0002



Hinge against railing

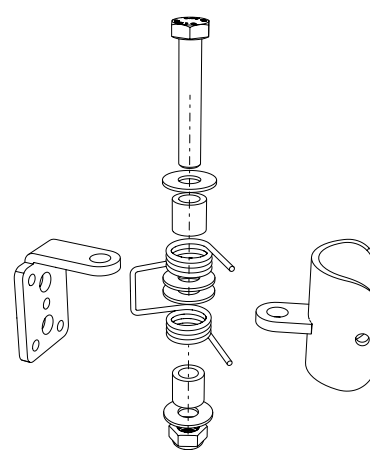


Hinge against wall



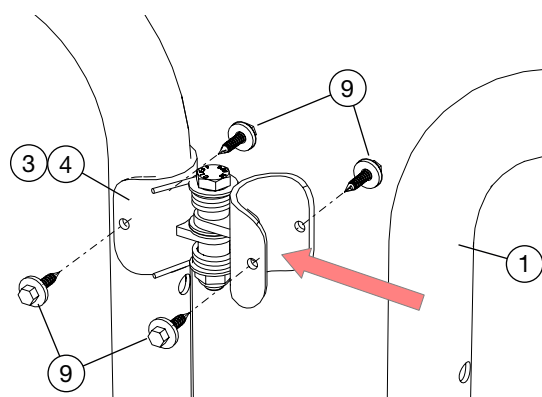
### Direction of opening towards railing

If you want to change the direction of opening, just rotate the hinge by 180°. Nut still downwards.



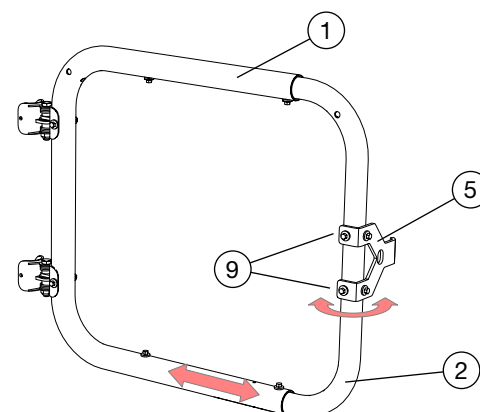
### Direction of opening towards the wall

If you want to change the direction of opening, the spring can be disassembled and turned for right or left opening.



### Hinge

Start by assembling the hinges (3 or 4) on stationary hoop or wall, turn 180° for right/left variant. Use 4 steps/hinge (9).



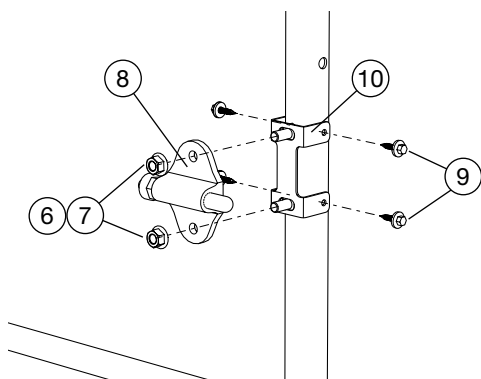
### Lock plate

Assemble the lock plate (5) on the adjustable hoop (2) using 4 steps (9). Adjust the length of the hoop to fit. If a box lock is to be used, the lock plate has to be turned 90°. Lock in place using 4 steps (9)

	Part	Part. no.
1	Outer hoop	UG6090-01
2	Inner hoop	UG6090-03
3	Hinge	GJ4200
4	Hinge wall	GJ4202

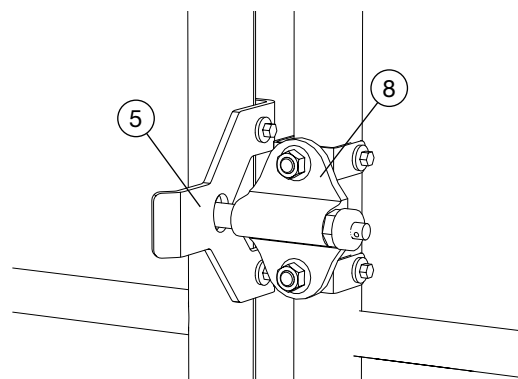
	Part	Part. no.
5	Lock plate	BX0004
6	Bolt	BU1020
7	Nut	MU1000
8	Box lock	BX0001

	Part	Part. no.
9	Staps	SS5522
10	Bracket Box Lock	BX0002



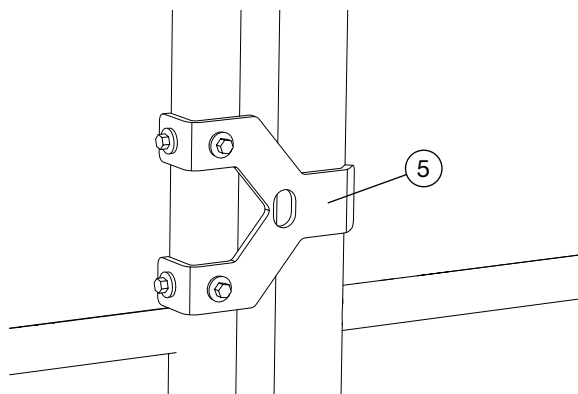
### Box lock

Start by assembling the box lock (8) using bolt + nut (6,7) on box bracket (10), turn by 180° for right/left variant. Adjust the height to the gate. Use 4 staps/gate lock (9).



### Box lock mounted

Adjust to ensure that the box lock (8) and lock plate (5) fit against each other.



### Gate stop

Assemble lock plate (5) as gate stop using 4 staps (9).

