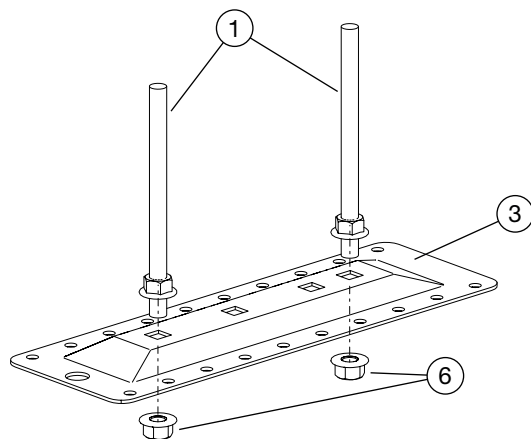


	Part	Part. no.
1	Threaded rod M10	RB1010-00
2	Support plate	TP1910
3	Footplate	FP0300
4	Bracket	

	Part	Part. no.
5	Bolt	BU1201
6	Nut	MU1001
7	Wood screw	TS6301
8	Fixing profile	IP0280

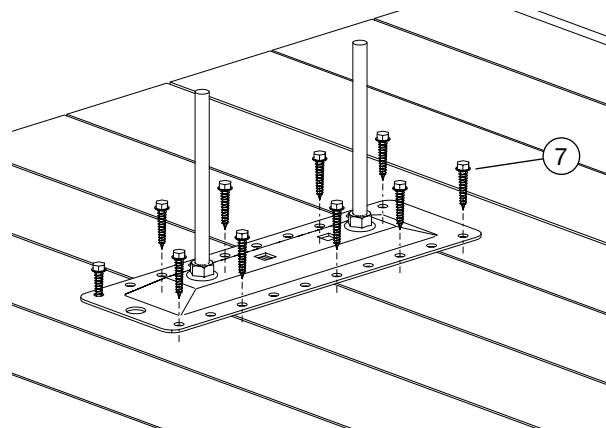
	Part	Part. no.
9	Lath mount	LF3310
10	Spacer	DS5700
11	Coach bolt	BV1030

### Assembly with footplate on tongued and grooved board.



#### Assembly threaded rod

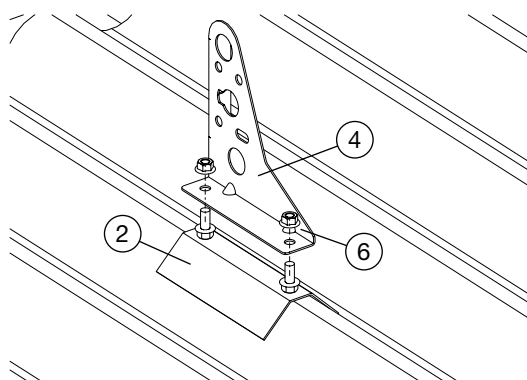
Securely fasten the threaded rods (1) to the footplate (3) with double M10 nuts (6). Adjust the length of the threaded rods to lath and profile height.



#### Screw assembly

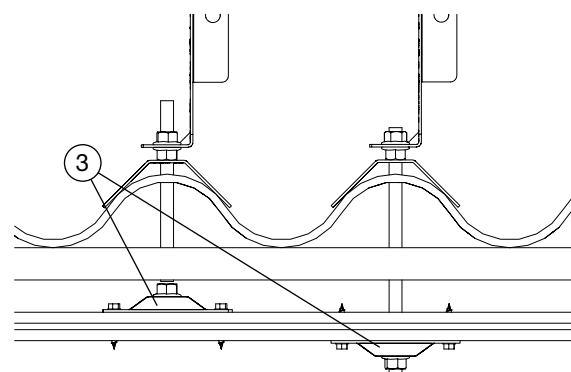
Screw the footplate in place using 10 6x35 mm wood screws (7).

NOTE! 2 screws at each end and the rest evenly distributed across the holes.



#### Assembly bracket

Drill holes through and seal around the hole with sealing compound. Mount the support plate (2) and secure with 4 nuts (6) on the upper and lower sides of the bracket.



#### Assembly in cross-section

The footplate (3) can be mounted from above or below. We recommend assembly from below when retrofitting on older roofs.

NOTE! Remember sealing compound.

#### Installation material

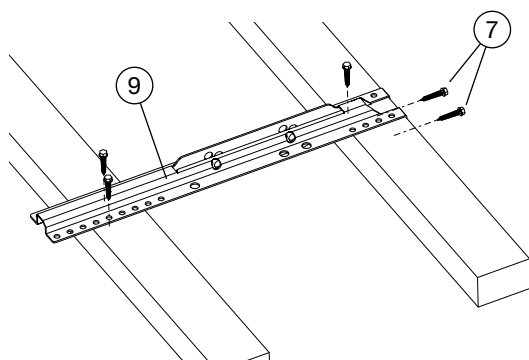
Fasteners (bolts, nuts, screws) shall be approved for 15 years at corrosivity class C3. SE-EN ISO 12944-2  
Fasteners that are built in or concealed shall be corrosivity class C4 for 15 years or better. SE-EN ISO 12944-2

	Part	Part. no.
1	Threaded rod M10	RB1010-00
2	Support plate	TP1910
3	Footplate	FP0300
4	Bracket	

	Part	Part. no.
5	Bolt	BU1201
6	Nut	MU1001
7	Wood screw	TS6301
8	Fixing profile	IP0280

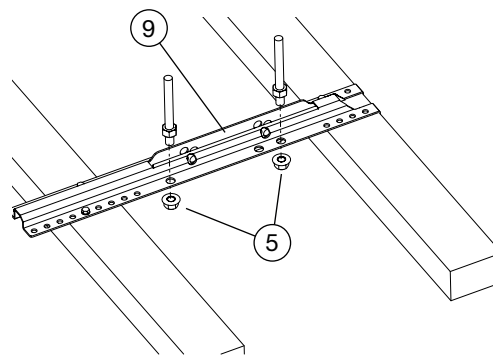
	Part	Part. no.
9	Lath mount	LF3310
10	Spacer	DS5700
11	Coach bolt	BV1030

### Assembly with lath mounts on battens 45x70 mm.



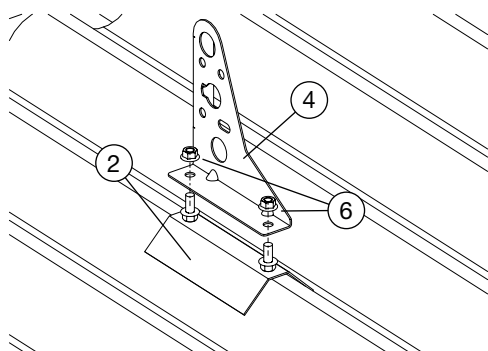
#### Lath mount installation

Fit the lath mount on the batten using 5 wood screws 6x35 mm (7). The laths must be 45x70 mm and an extra lath is placed as support for the lath mount.



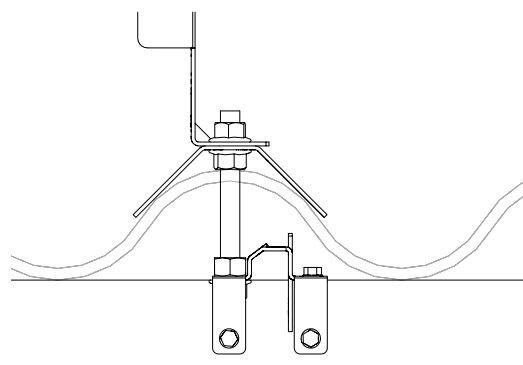
#### Threaded rod

Securely fasten the threaded rods (1) to the lath mount with double nuts (6). Adjust the length of the threaded rods to lath and profile height.



#### Assembly bracket

Drill holes through and seal around the hole with sealing compound. Mount the support plate (2) and secure with 4 nuts (6) on the upper and lower sides of the bracket (4).



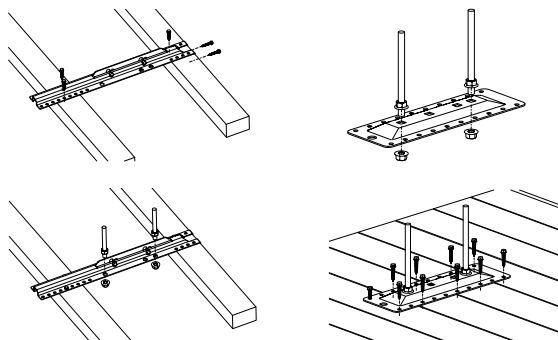
#### Assembly in cross-section

	Part	Part. no.
1	Threaded rod M10	RB1010-00
2	Support plate	TP1910
3	Footplate	FP0300
4	Bracket	

	Part	Part. no.
5	Bolt	BU1201
6	Nut	MU1001
7	Wood screw	TS6301
8	Fixing profile	IP0280

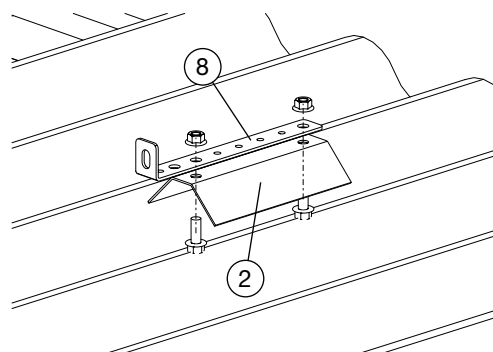
	Part	Part. no.
9	Lath mount	LF3310
10	Spacer	DS5700
11	Coach bolt	BV1030

### Assembly of spacer with footplate/lath mount.



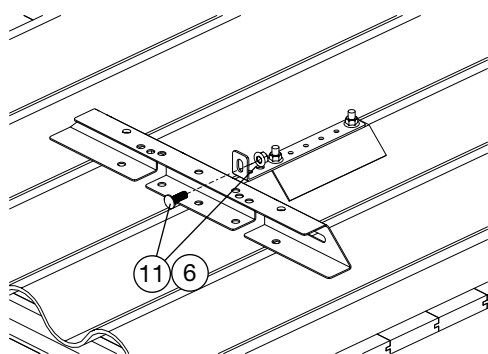
#### Threaded rod

Assemble threaded rods and fixing as shown on previous pages.



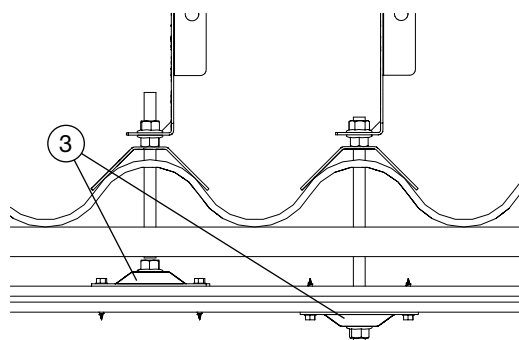
#### Profile assembly

Drill holes through and seal around the hole with sealing compound. Assemble the fixing profile (8) and the support plate (2) on the threaded rods with nuts on both sides.



#### Spacer assembly

Glue the rubber strip on to the underneath of the spacer and assemble the spacer with coach bolts 10x30 + nuts (11, 6).



#### Assembly in cross-section

The footplate (3) can be mounted from above or below. We recommend assembly from below when retrofitting on older roofs.

**NOTE: Remember sealing compound**