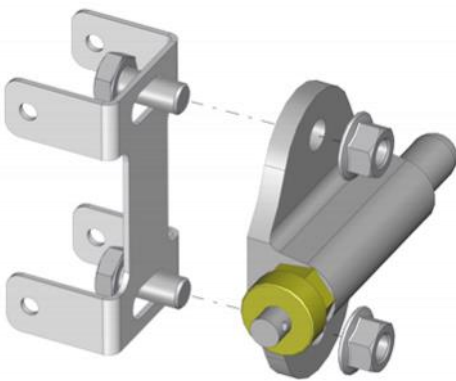
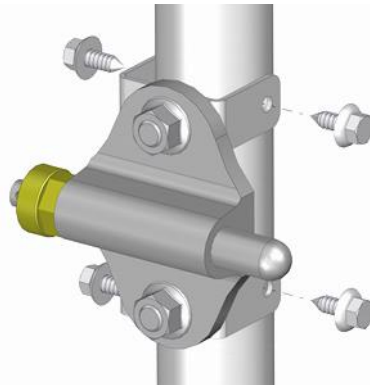


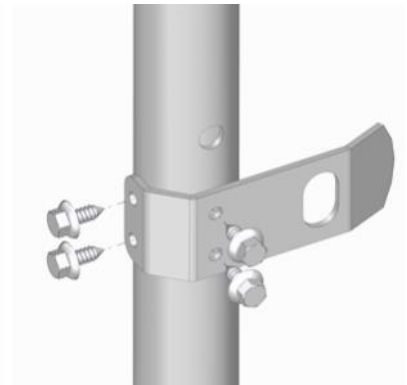
Mount on to the fixed railing and then on to the gate. Each half is screwed into place using 2 self-drilling 5.5 screws



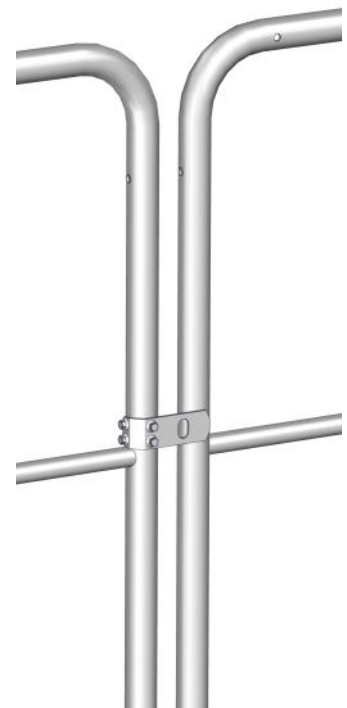
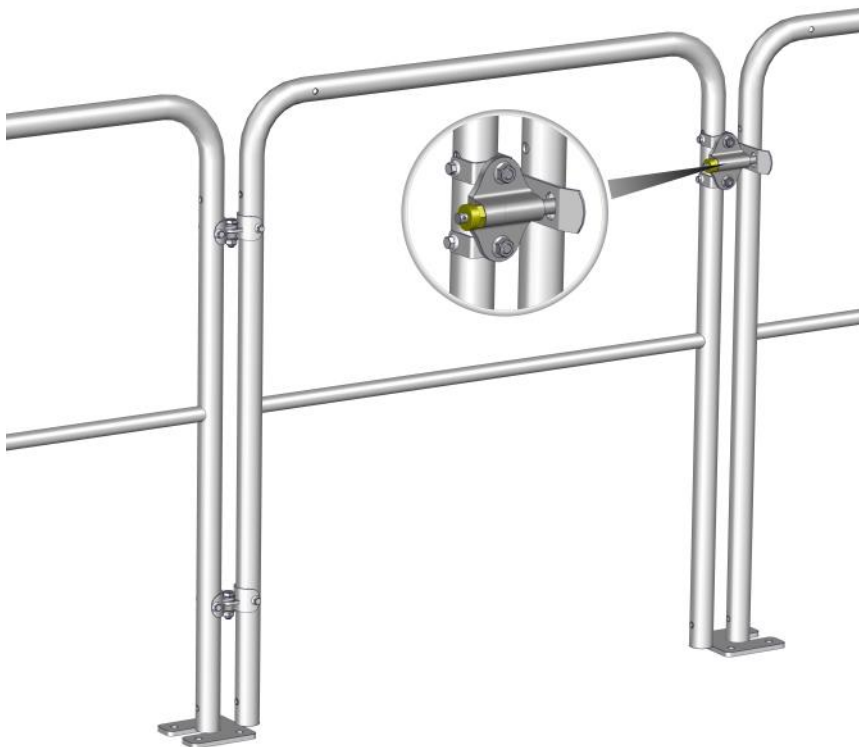
Assemble Box Lock and bracket using 2 M10x20 + nuts

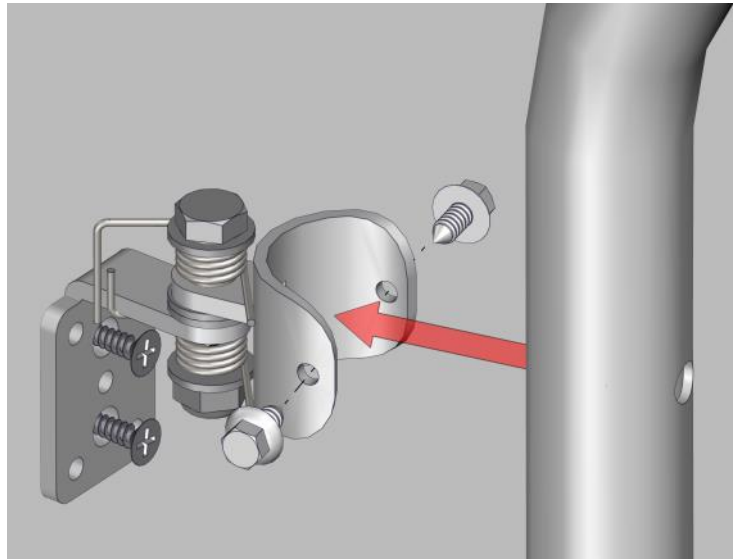
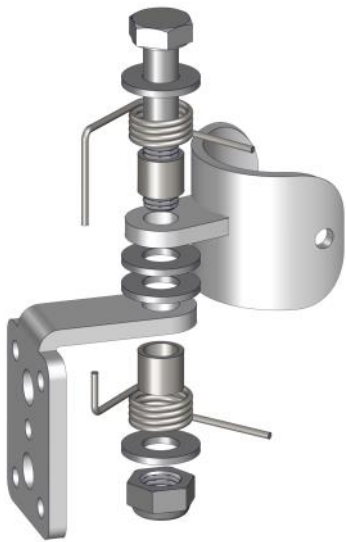


Mount the bracket on the gate using 4 self-drilling 5.5 screws

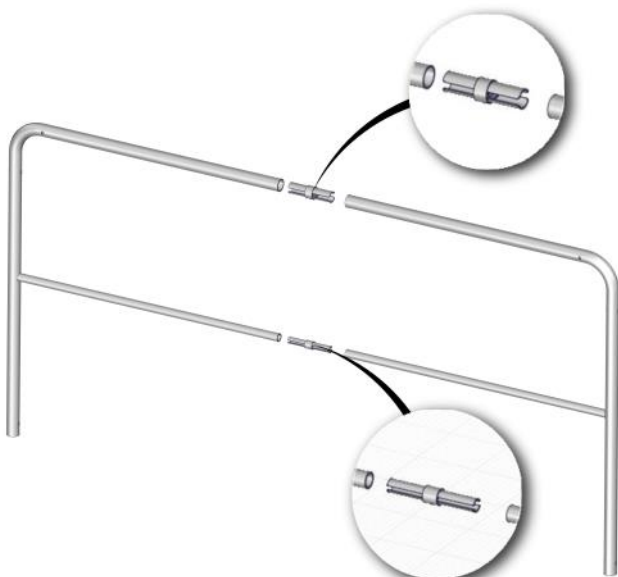


Mount the stop on the fixed railing or as stop on the gate using 4 self-drilling 5.5 screws.



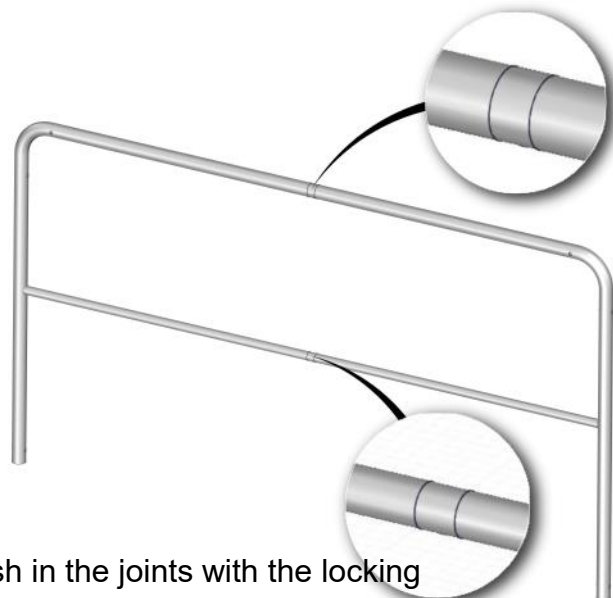


Mount the hinge on the wall and then, the gate on to the hinge using 2 self-drilling 5.5 screws.

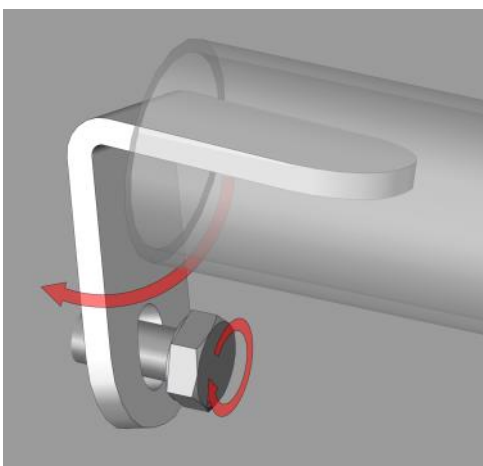


Length adjustment with joint

Cut the railing to the desired length and remove a further 25 mm for the joint



Push in the joints with the locking screw downwards and tighten.



Railing to wall

The wall locking device is placed in the railing tube. On tightening, the railing is held tight and the locking device lies against the wall

