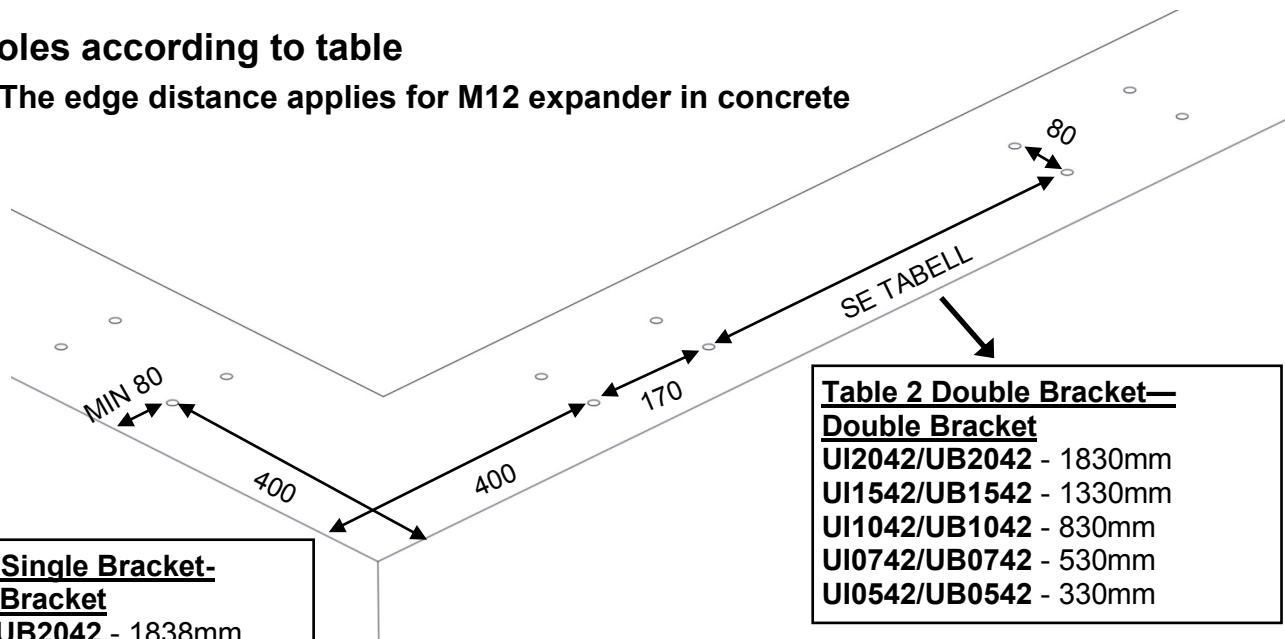


Drill holes according to table

NOTE! The edge distance applies for M12 expander in concrete

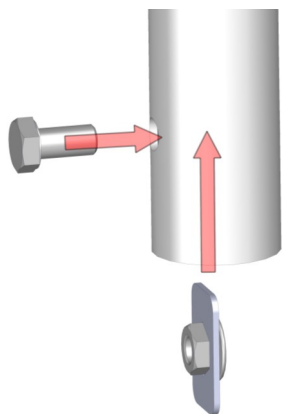


**Table 1 Single Bracket-
Double Bracket**

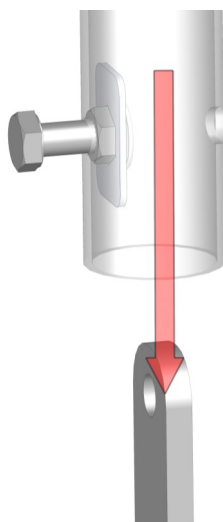
UI2042/UB2042	- 1838mm
UI1542/UB1542	- 1338mm
UI1042/UB1042	- 838mm
UI0742/UB0742	- 538mm
UI0542/UB0542	- 338mm

**Table 2 Double Bracket-
Double Bracket**

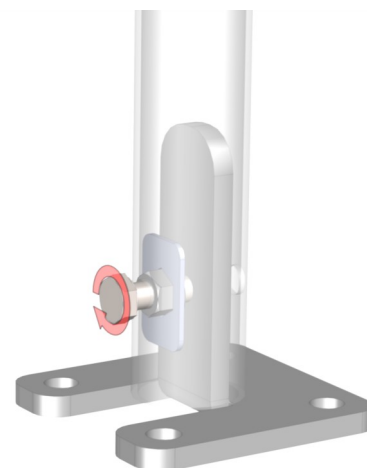
UI2042/UB2042	- 1830mm
UI1542/UB1542	- 1330mm
UI1042/UB1042	- 830mm
UI0742/UB0742	- 530mm
UI0542/UB0542	- 330mm



Mount the locking device in the railing



Thread the railing on to the bracket



Tighten the locking devices.
Tighten the securing bolts.

Finally, mount the coupling between the railings.

