

Drill holes according to table

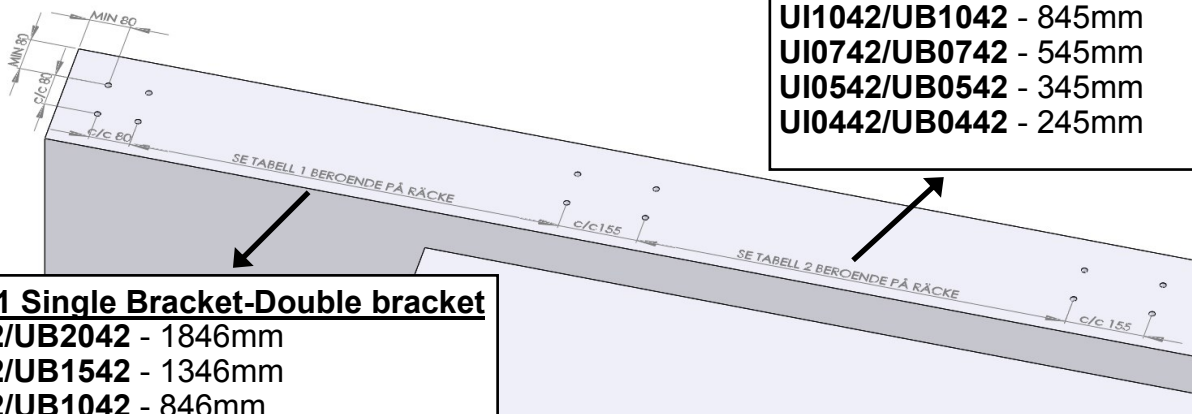


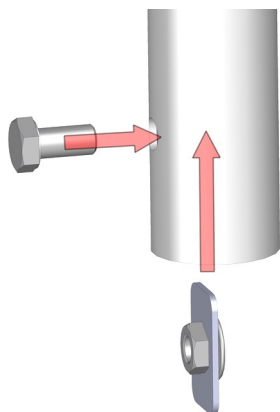
Table 2 Double Bracket—Double Bracket

UI2042/UB2042	- 1845mm
UI1542/UB1542	- 1345mm
UI1042/UB1042	- 845mm
UI0742/UB0742	- 545mm
UI0542/UB0542	- 345mm
UI0442/UB0442	- 245mm

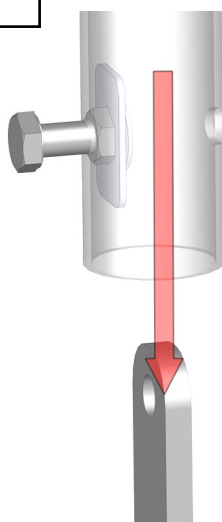
Table 1 Single Bracket-Double bracket

UI2042/UB2042	- 1846mm
UI1542/UB1542	- 1346mm
UI1042/UB1042	- 846mm
UI0742/UB0742	- 546mm
UI0542/UB0542	- 346mm
UI0442/UB0442	- 246mm

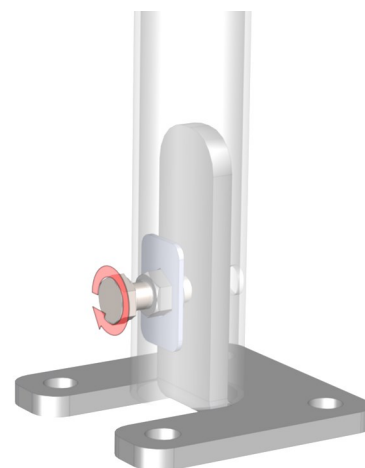
NOTE! The edge distance applies for M12 expander in concrete



Mount the locking device in the railing



Thread the railing on to the bracket



Tighten the locking devices. Tighten the securing bolts.

Finally, mount the coupling between the railings.

