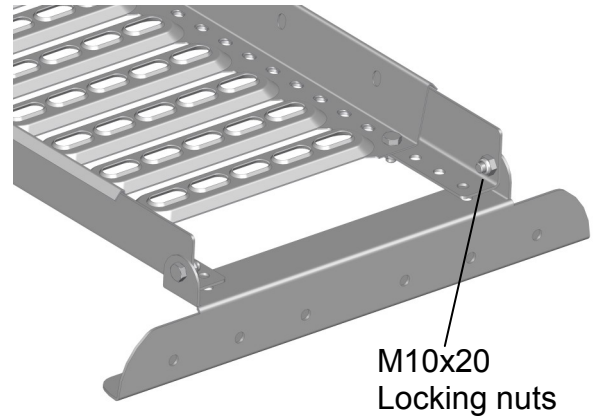
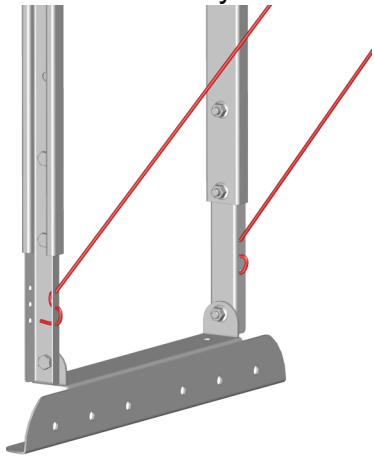
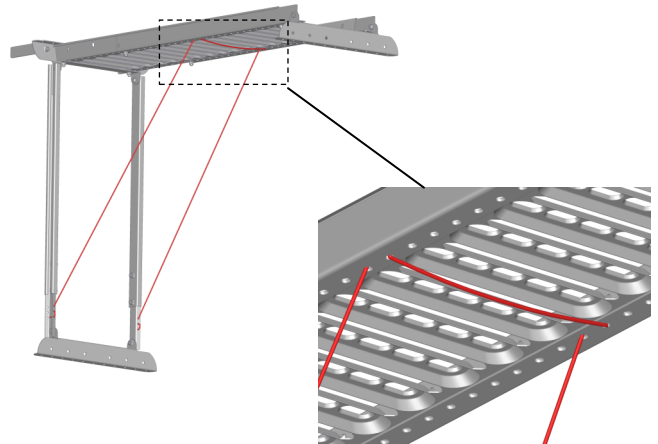
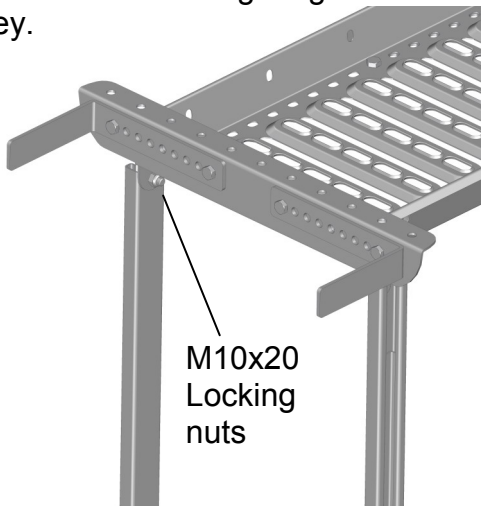


The chimney platform is adjustable for roof gradients of 27-50 degrees, chimney height 1100-1700 mm and chimney width max. 670 mm.



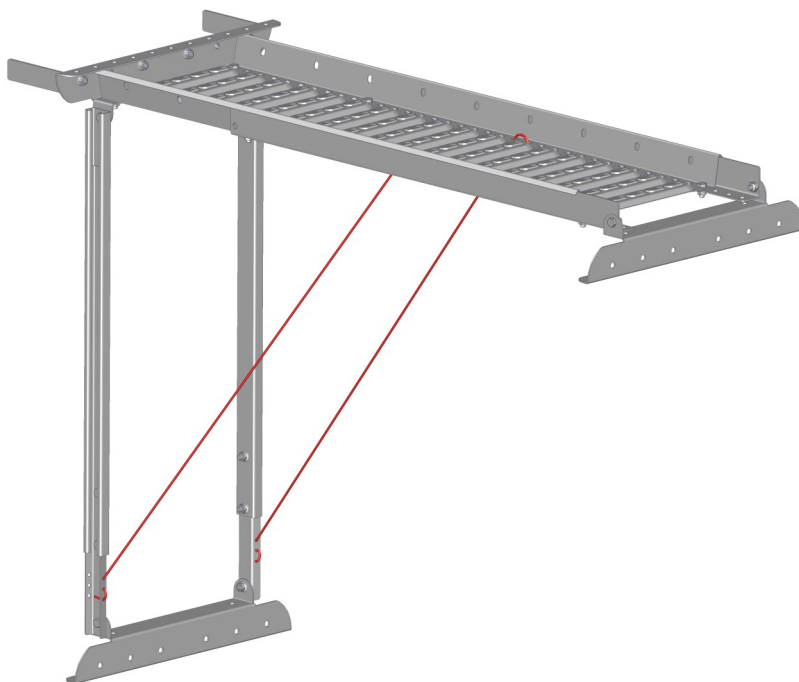
Adjust the length of the support legs to obtain the correct height against the chimney.

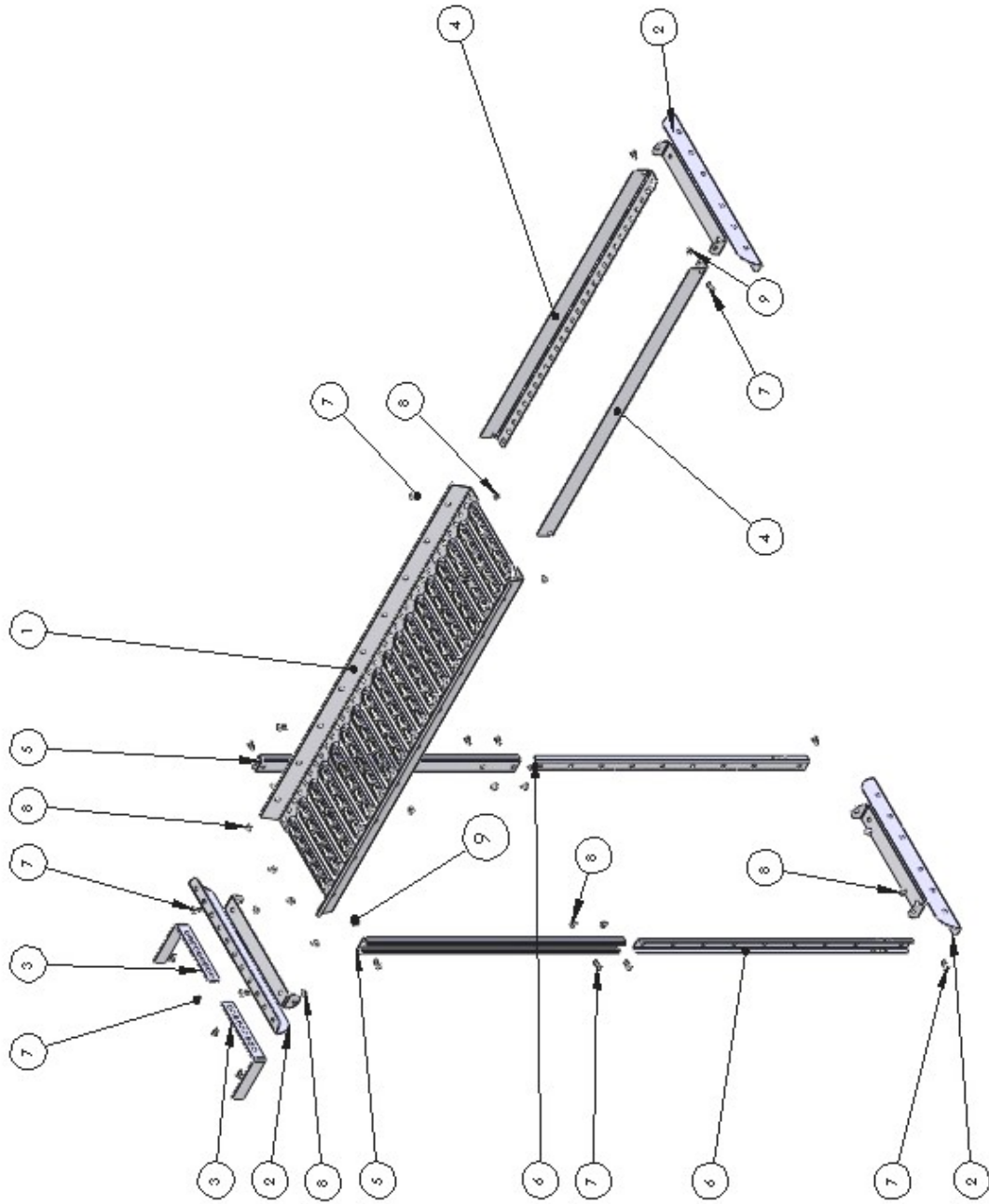
Attach the spacer rail using suitable fixings according to the separate assembly instructions. Adjust the length of the gangway; lock in place with 4 M10x20.



Attach the support legs and rail to the gangway. Adjust the support bracket to the chimney's width.

Adjust the length of the wire so the legs are stable when the wire is stretched. The wire is threaded through the gangway and secured in the support legs.





Pos.	Quantity	Name
1	1	PB1190
2	3	PF1218-01
3	2	PF1218-02
4	2	PF1218-03
5	2	PF1218-05
6	2	PF1218-04
7	20	Bult M10x20
8	16	Flange nut M10
9	4	Locking nut M10