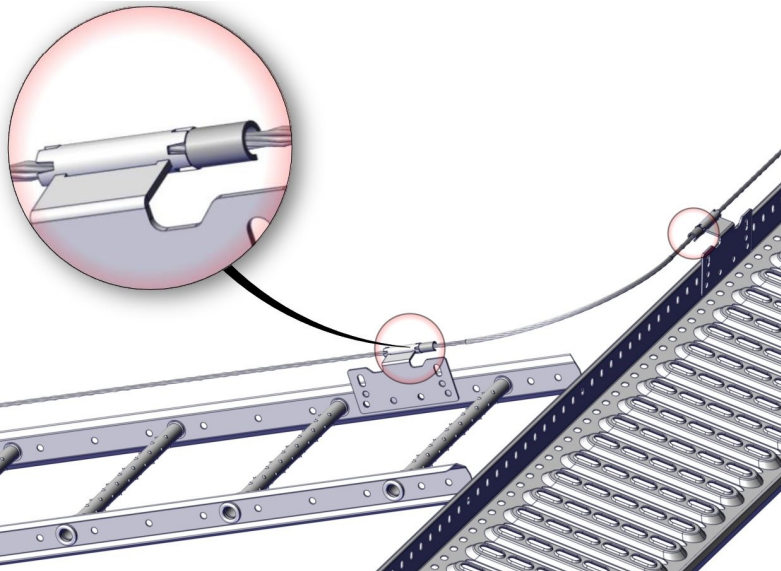




Wire joint

Screw in the terminals until they meet in the middle. Tighten so the terminals lock against each other.



Example of assembly corner

Make a uniform hoop of the wire, so the runner runs freely. Pinch the sleeves against the bracket, so the hoop keeps its shape. Make the pinch using a press or with large tongs.

