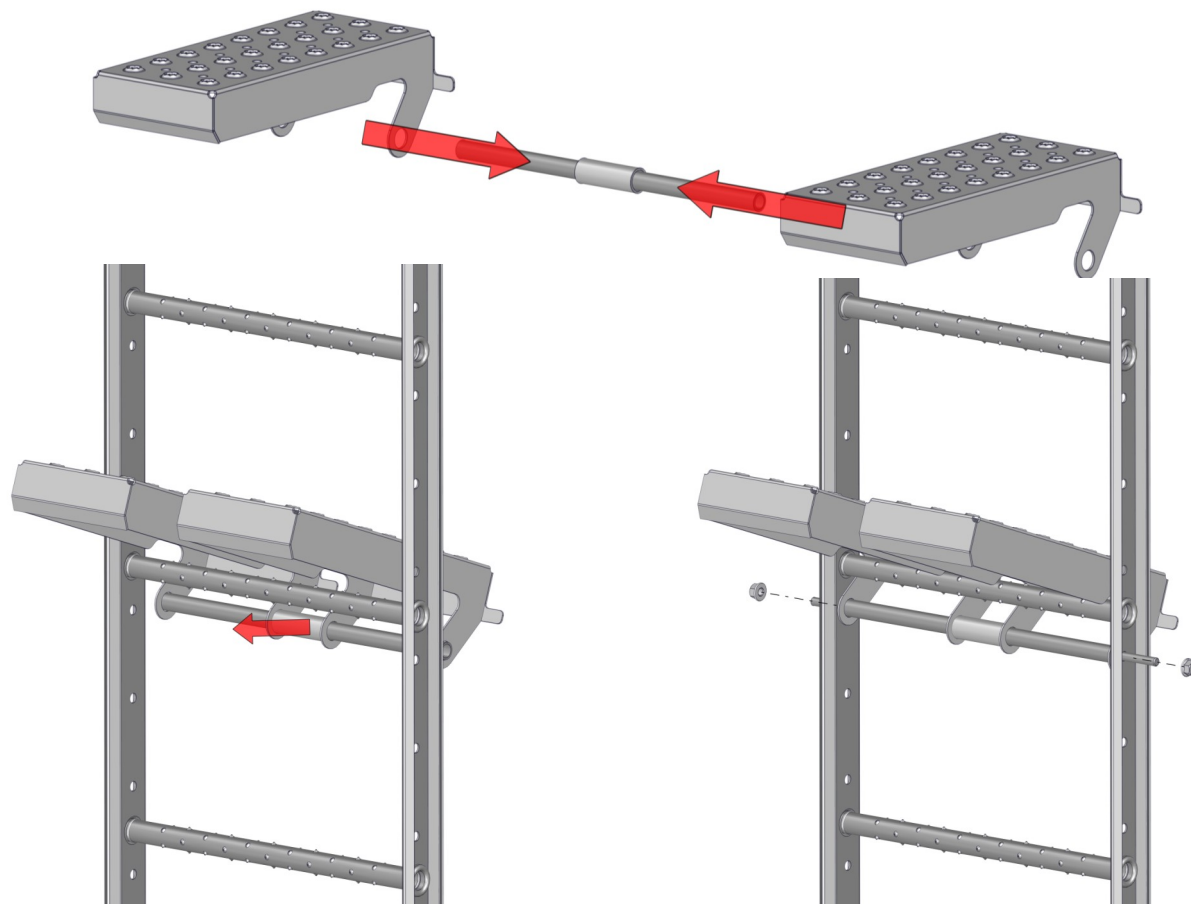


## Double step plate



Assemble the step plates, support tube and sleeve.  
Hang the parts from the rear of the ladder.

The support tube is bolted to the ladder with through-going M10 threaded rod and nuts on each side.

## Single step plate



Assemble the step plate on the ladder  
using M10x20 bolt and locking nut.