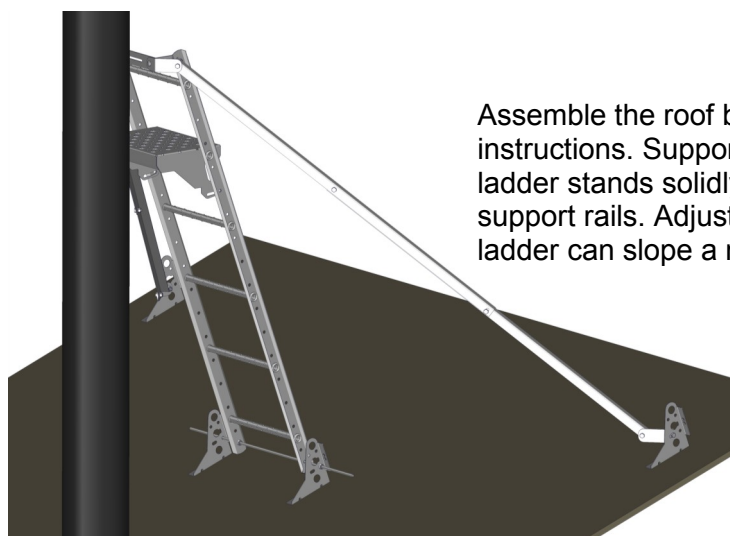


Round chimney

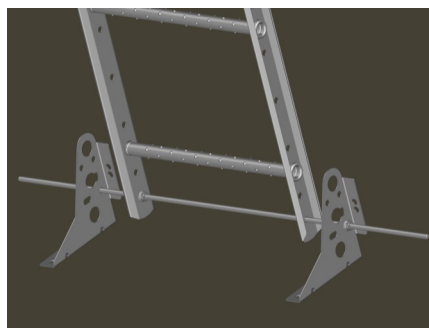
Centre the ladder against the chimney. Mount the fixing iron to the chimney shroud. Attach the mounts and brace using M10x20.

Rectangular chimney

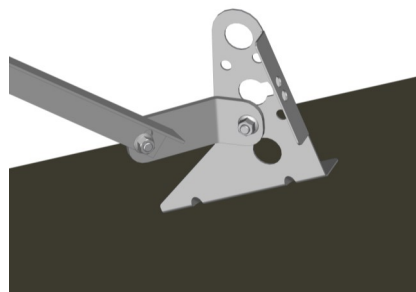
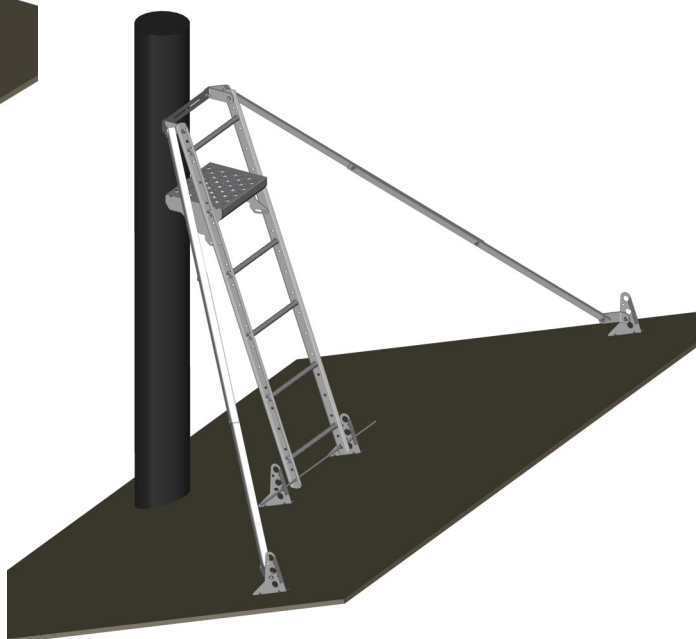
Screw the base plate to the chimney using 6 self-drilling 6.3x19 screws per mount. Attach the mounts and brace. Centre the ladder against the chimney. The ladder is secured to the M10 threaded rod using 4 nuts.



Assemble the roof bracket according to the separate assembly instructions. Support rails are fitted to the roof brackets so the ladder stands solidly. Ø11 holes must be drilled to fasten the support rails. Adjust so the ladder platform is horizontal. The ladder can slope a maximum 20°.



The ladder is secured to the M10 threaded rod using 4 nuts.



The support rods are fitted to the bracket using angles and M10 bolt.