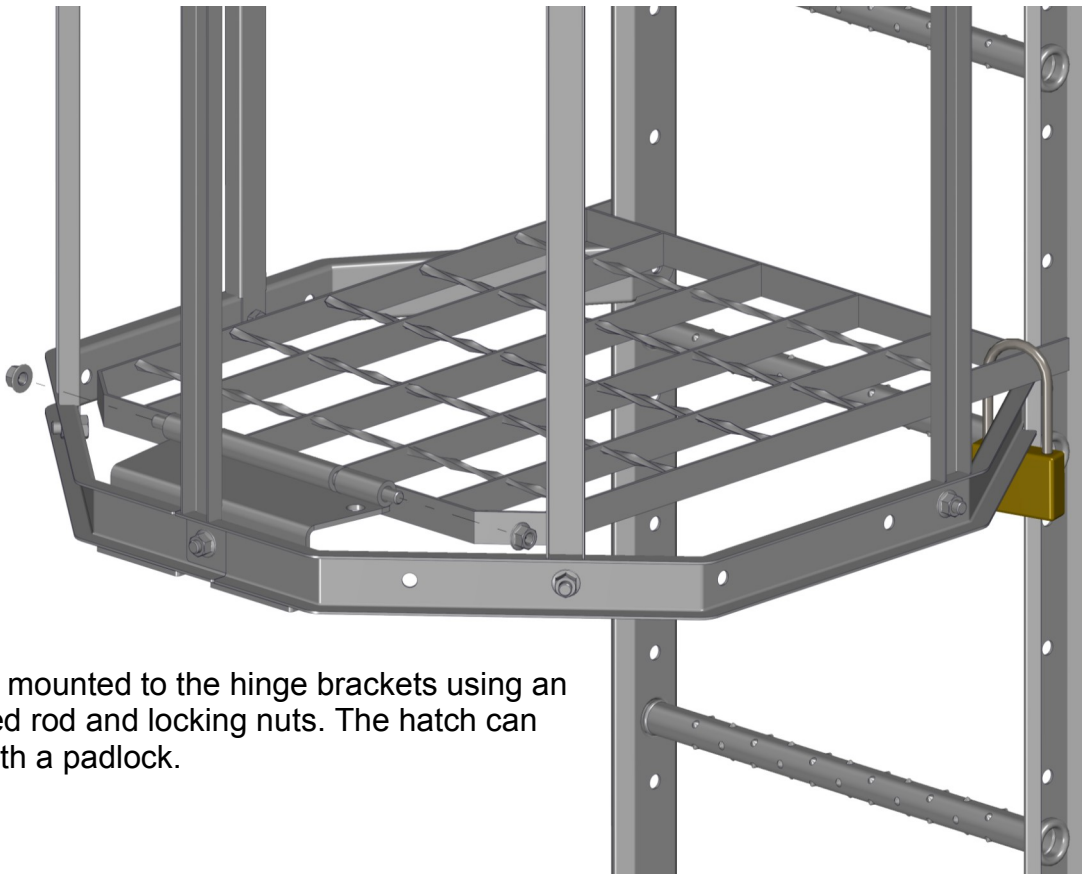


Hinge brackets are bolted to holes in the safety cage hoops using the existing bolt and nut. The hatch is normally mounted on the lowest safety cage hoop, but it can be mounted further up on longer ladders as a rest platform.



The hatch is mounted to the hinge brackets using an M10 threaded rod and locking nuts. The hatch can be locked with a padlock.