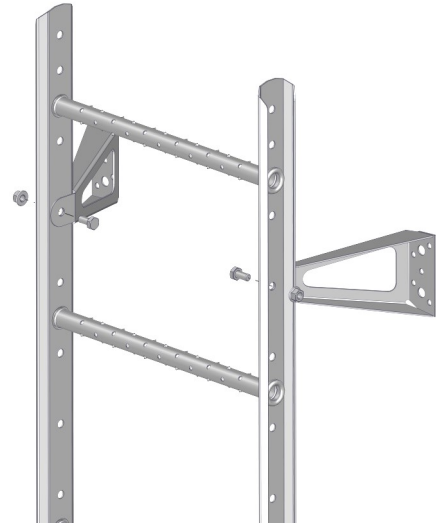
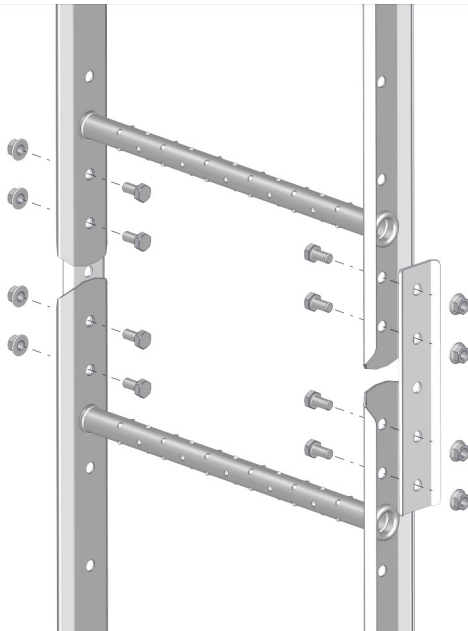


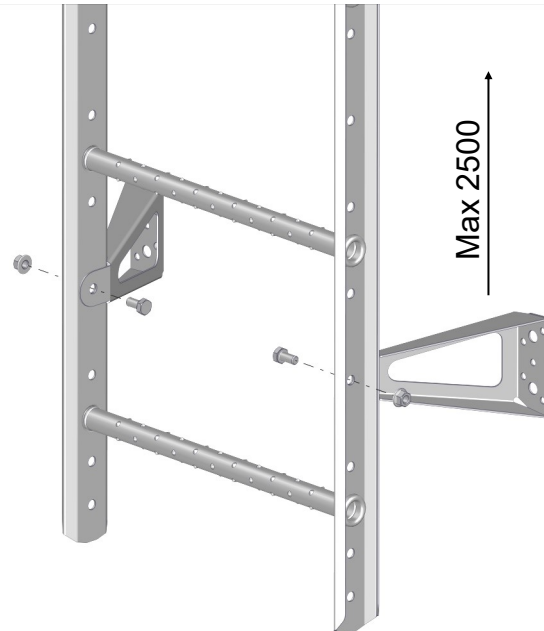
Install the top pair of brackets using suitable bolting material. See MA1001 Loading table for more info.



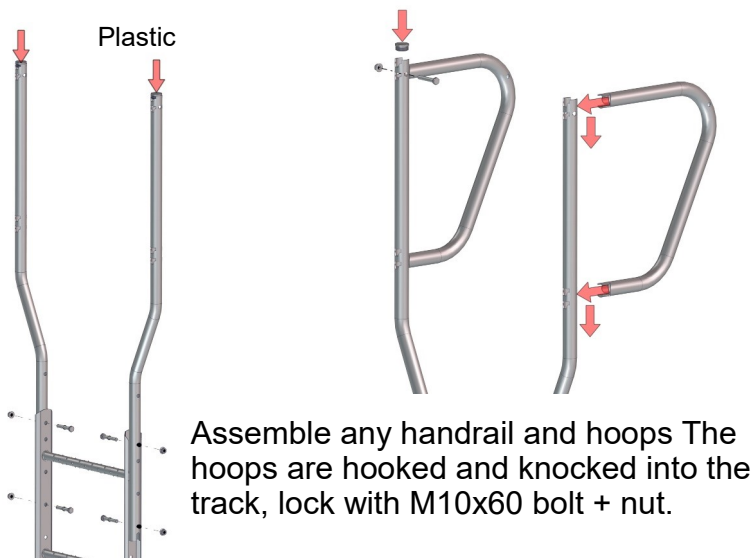
Assemble the ladder in the top pair of brackets using 2x M10x20 + nut and make sure the top rung is **at least 30 mm above the roof edge**.



Join the ladders together using joint plate and 4 M10x20 bolts + nuts.



Install the remaining brackets with max. c/c distance of 2500 mm.



Assemble any handrail and hoops The hoops are hooked and knocked into the track, lock with M10x60 bolt + nut.

