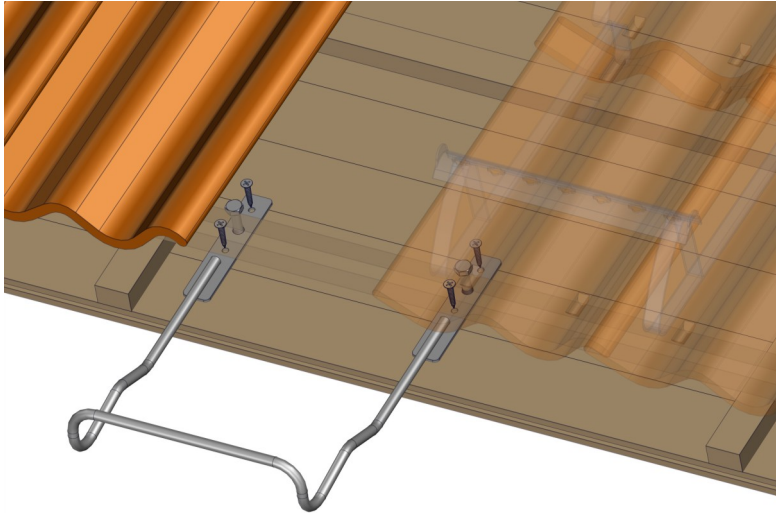


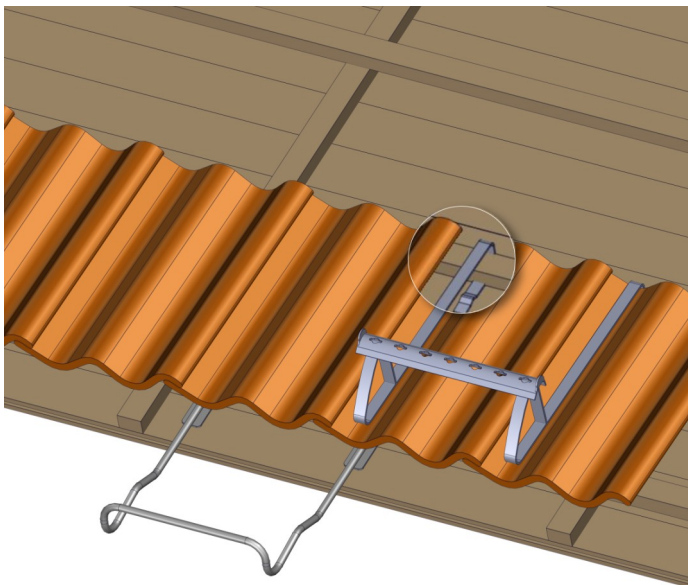
General requirements for roof treads

Timber batten at least 25x38 mm (1") lowest type. \surd . Nailed using hot dipped galvanised wood nails at least 75 x 2.8 mm. Battens must have undamaged support edge, must not have knots that impair strength and must not be joined over the fixing.

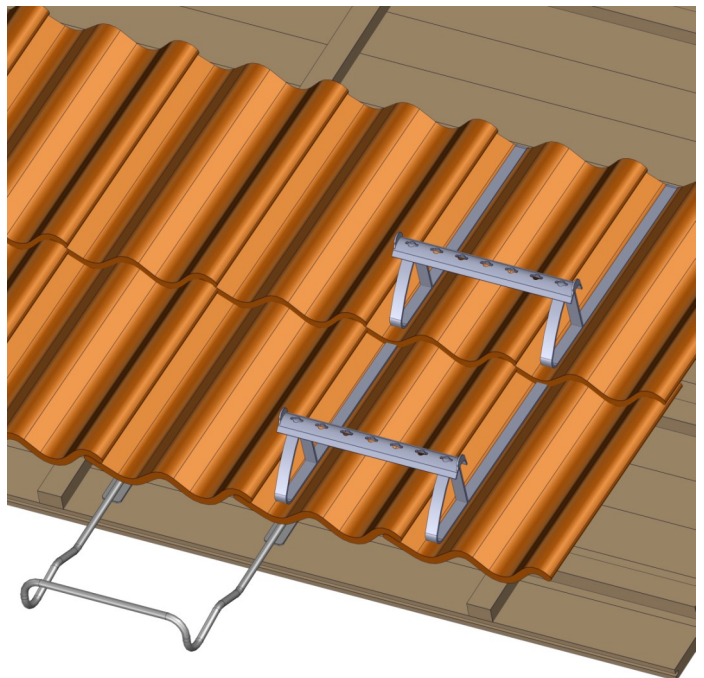
Roof treads must not be installed on sections where the batten finishes or is joined. The roof treads must be installed directly one above the other. Maximum permitted facade height is 4 m. Maximum permitted roof gradient is 45



Install the anti-slip protection on the eaves using 4 wood screws or 2 through bolts. It must be placed to one side of the roof treads.



Hook the tread round the roof tile and batten. Press the tread down so it is securely fastened.



Lay out the next row of tiles and repeat the previous procedure.