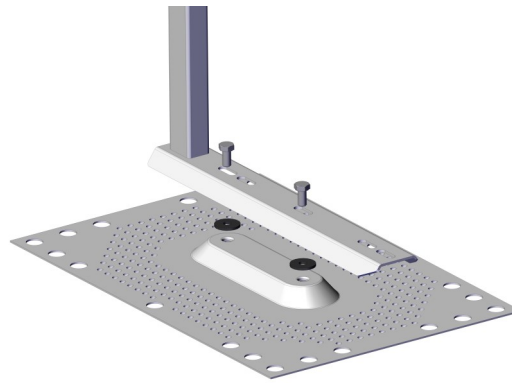
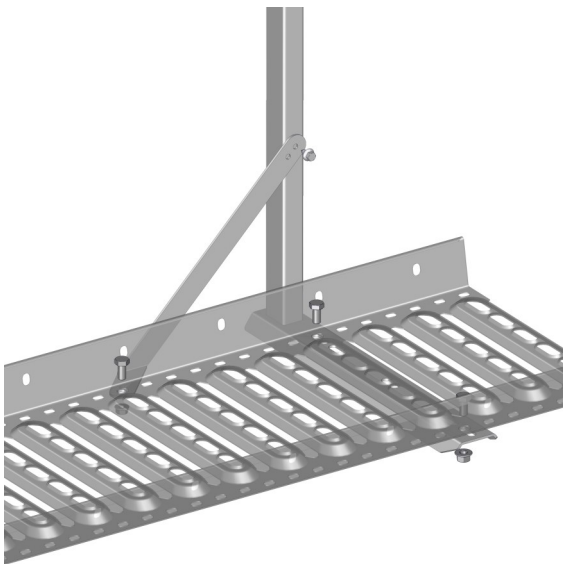


Knock the plastic plug into the top.



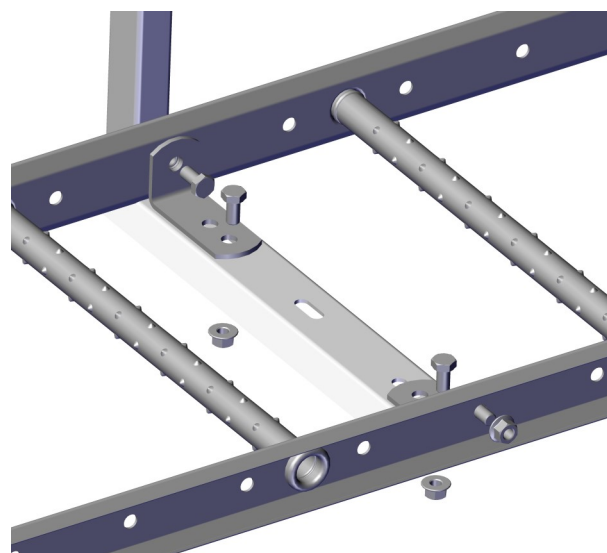
Assembly directly on to sealing plate.

The sealing plate is installed in advance according to the appropriate assembly instructions for the roof. After this, mount the gangway baluster using 2x M10 bolts and rubber washers.



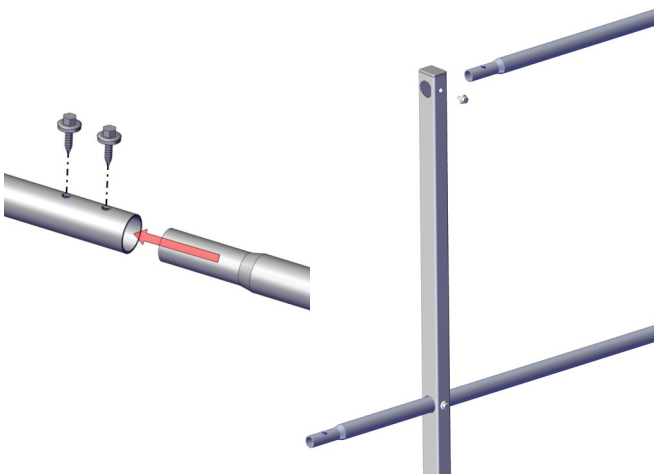
Assembly on gangway.

The gangway railing is attached to the underside using 2x M10x20 bolts + nuts. The support brace is mounted using 1x M10x20 bolt + nut and self-drilling screw 5.5x22. **1 brace / section.**

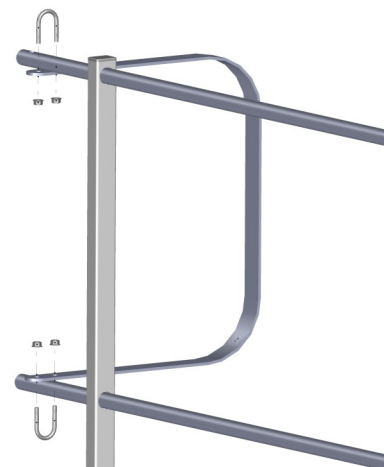


Assembly on ladder.

The railing is assembled using 2x mounting brackets and 4x M10 bolts with nuts.



Push the railing tubes in the holes and lock the holes with 5.5x22 self-drilling screws in each hole. The railing tubes are pushed into each other and locked in place using 5.5x22 self-drilling screw 2x / joint.



The end bow is secured to the railing tube using two U-fittings and 4x M8 nuts.