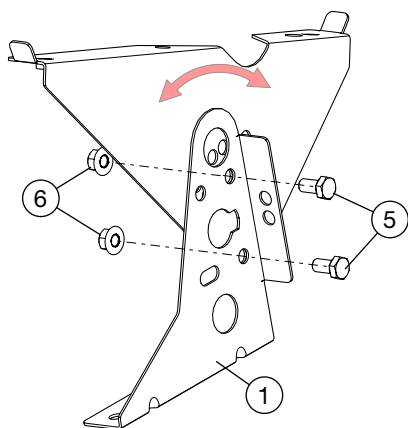


	Part	Part. no.
1	Gangway mount	ÖB3000
2	Profile grating	PB2450V
3	Profile grating	PB2450H
4	Joint plate	SK4013

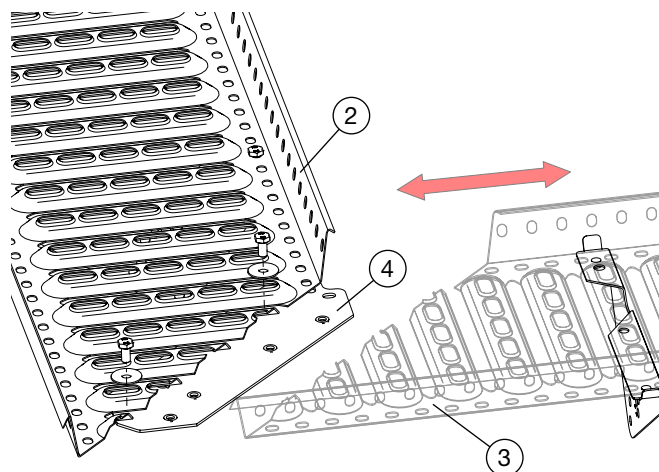
	Part	Part. no.
5	Bolt set	BU1201
6	Set of nuts	MU1001
7	Washer	XBR3610

Fasteners, see the relevant assembly instruction.



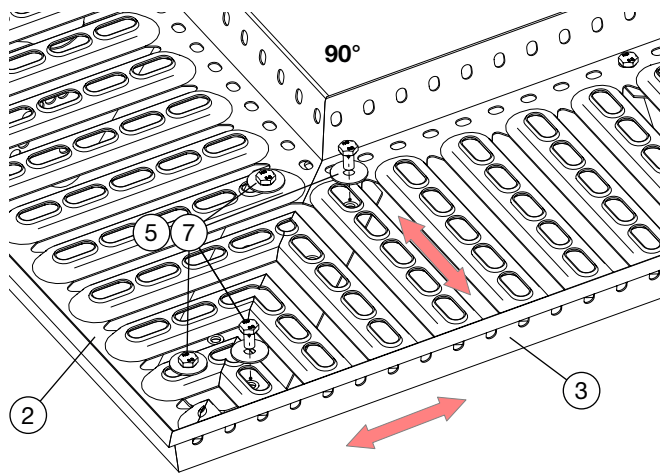
Gangway mount

Adjust the top section of gangway mounts (1), based on the roof gradient, to the horizontal position ($\pm 2^\circ$) and lock in place with 2 M10x20 bolts + nuts. (5,6)



Assemble (2,3,4)

NOTE! Max. 300 mm overhang inside the gangways from the last bracket, at least 2 gangway mounts (1) per profile grating.



Fit in the profile gratings

Assemble the joint plate (4) and the profile gratings together, using 4 M10x20 bolts + washers (5,7). Works on both 90° and 45° angled profile gratings.

