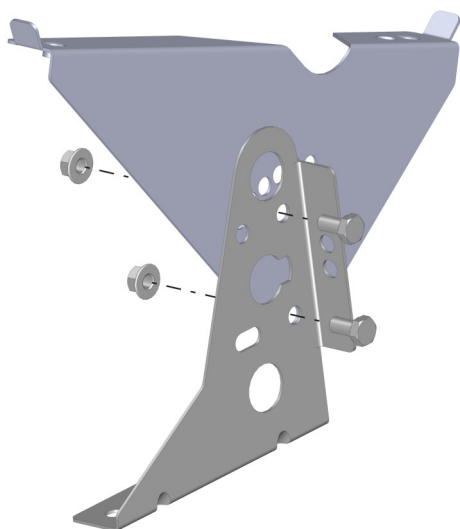
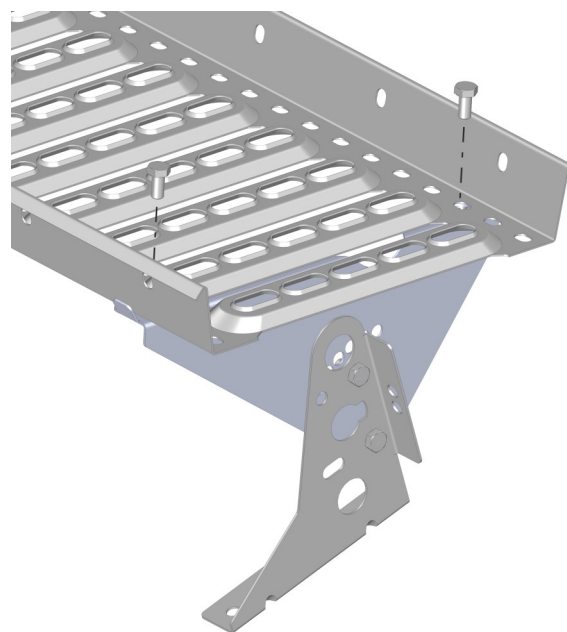


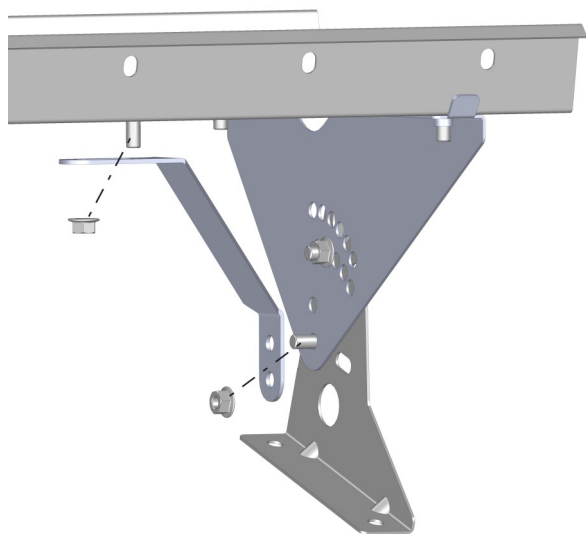
The mount is installed according to accompanying assembly instructions. Max. distance between mounts 1200 mm



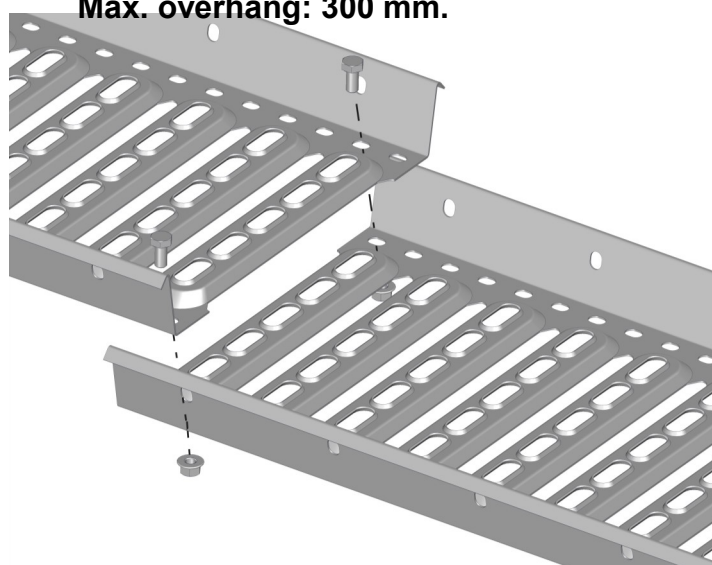
Adjust the top section of gangway mounts, based on the roof gradient, to the horizontal position and lock in place with 2 M10x20 bolts + nuts.



The gangway is bolted to the top section of the gangway mounts using 2 M10x20 bolts. **Max. overhang: 300 mm.**



The gangway must be braced by at least 1 brace per continuous section of gangway. 2 M10x20 bolts + nuts.



The gangway is joined by overlapping (at least one wave top). The bolts are secured, with a displacement of one hole, using 2 M10x20 bolts + nuts. **At least two mounts on each side of the join are required.**