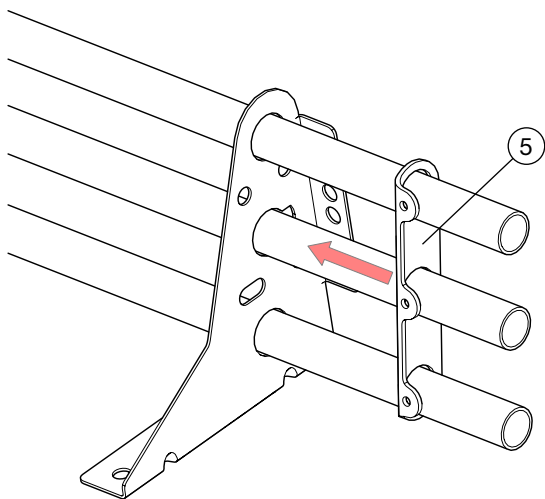


	Part	Part. no.
1	Railing tube	RR2723
2	Locking device, tube	LA2701
3	Tube bend	RR2790
4	Staps	SS5221

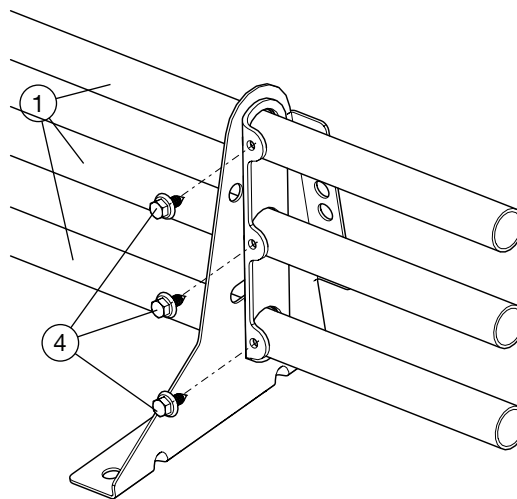
	Part	Part. no.
5	Locking device, 3-tube	LA2731

Fasteners, see the relevant assembly instruction.



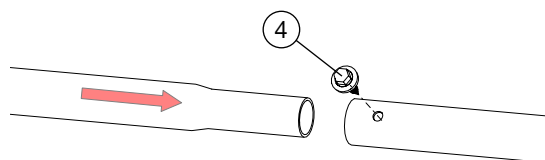
Locking device, 3-tube

The 3-tube locking device (5) is mounted on the outer side of the first and the last bracket on each section.
Max. protrusion from the tube 300 mm.



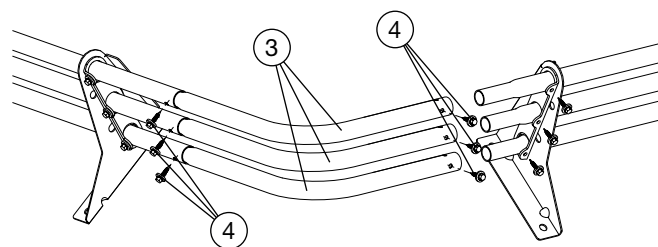
Assembly

Lock the railing tubes (1) in place using 3 self-drilling staps (4).



Joining railing tubes

The railing tubes are joined to one another and locked in place with 1 self-drilling staps (4).



Finish with 90° tube bend

For assembly of 90° tube bend (3). (not mandatory) Lock the joint using 1 self-drilling screw per joint (4).