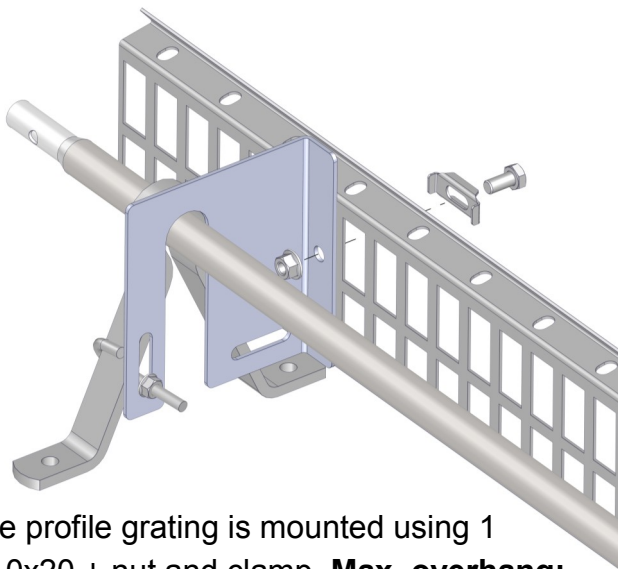


Type 2, 4 and 6 (forged brackets)

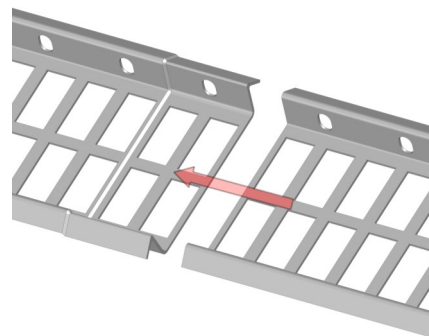
The fixing bracket is hung on an existing tube. The bracket is locked firmly to the existing bracket using 1 J-hook M8x40 + nut.

Type 3 and 5 (plate brackets)

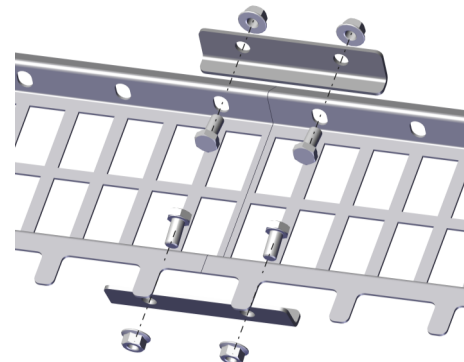
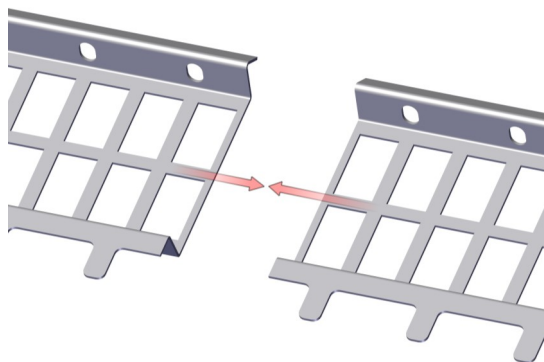
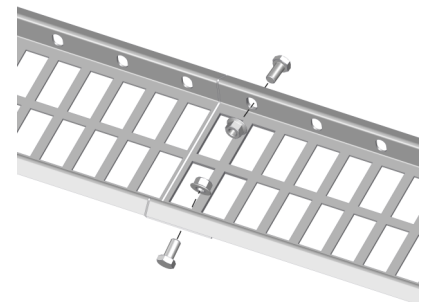
The fixing bracket is hung on an existing tube. The bracket is locked firmly to the existing bracket using 1 M10x20 + nut and clamping



The profile grating is mounted using 1 M10x20 + nut and clamp. **Max. overhang: 300 mm**



The profile grating is joined with an overlap and is screwed in place using 2 M10x20 nut + bolt.



The **Ice Guard** is pushed together and mounted using fishplate brackets and 4 M10x20 bolts + nuts.