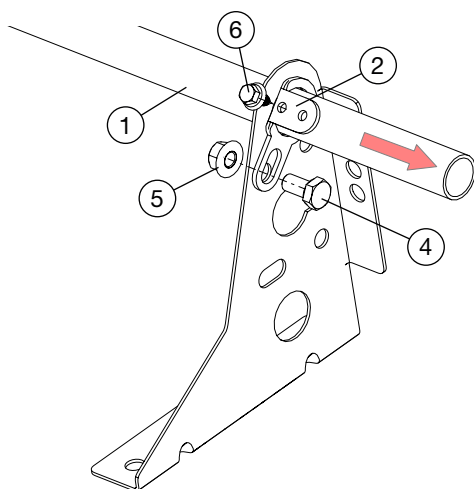


	Part	Part. no.
1	Railing tube	RR2723
2	Locking device, 1-tube	LA2701
3	Tube bend	RR2790
4	Bolt set	BU1201

	Part	Part. no.
5	Set of nuts	MU1001
6	Staps	SS5522
7	Locking device, 3-tube	LA2723

Fasteners, see the relevant assembly instruction.

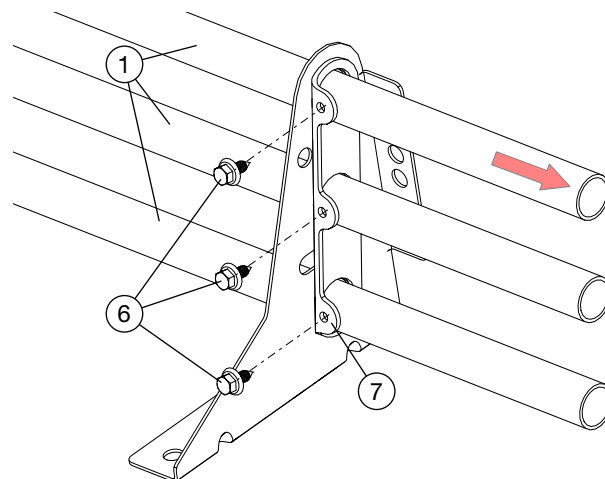


Locking 1-tube version

Assemble the locking device (2) on the bracket using M10x20 bolt + nut. (4.5).

The locking device is mounted on the outer side of the first and the last bracket on each section.

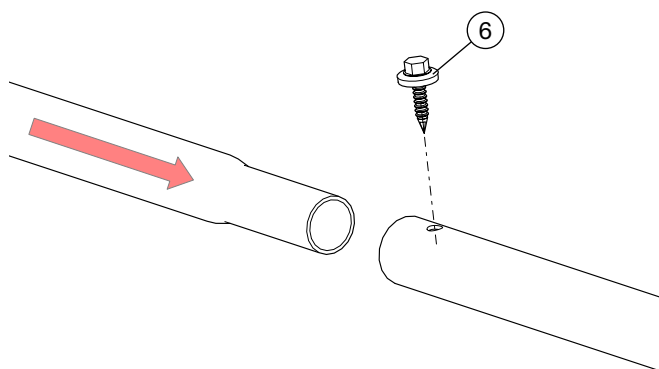
The railing tube (1) is pushed through the hole (max. protrusion: 300 mm) and locked in place with 1 self-drilling screw. (6)



Locking 3-tube version

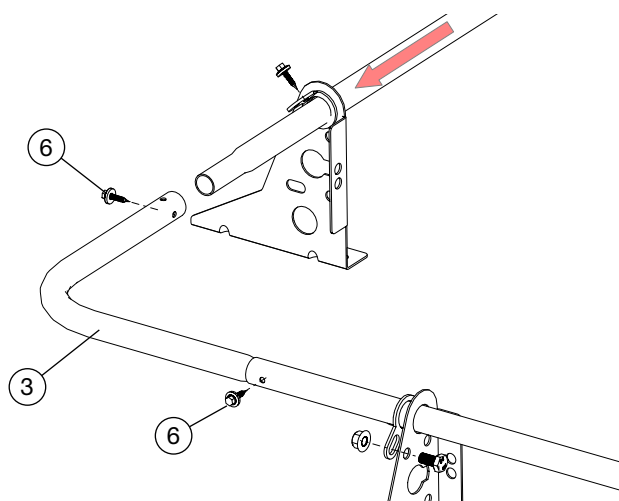
Assemble the locking device (7) on the bracket. The locking device is mounted on the outer side of the first and the last bracket on each section.

The railing tubes (1) are pushed through the hole (max. protrusion: 300 mm) and locked in place with 3 self-drilling screw. (6)



Joining railing tubes

The railing tubes are joined to one another and locked in place with 1 self-drilling screw. (6).



Finish with 90° tube bend

For assembly of 90° tube bend (3). (not mandatory)

Lock the joint using 1 self-drilling screw per joint. (6).