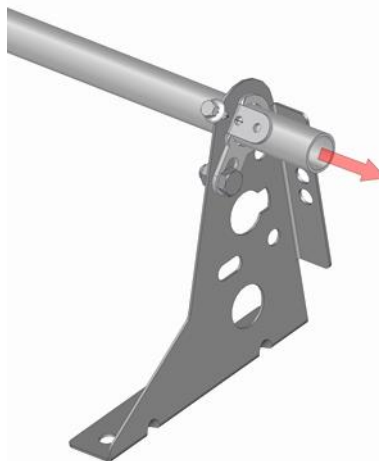
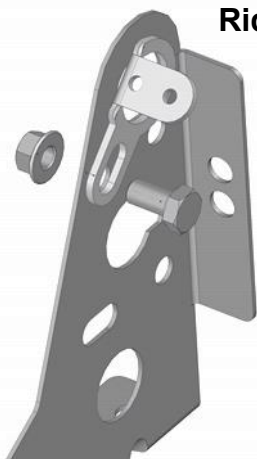


The mount is installed on the roof according to separate assembly instructions. Max spacing 1200mm

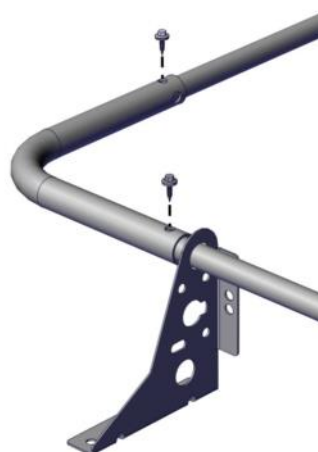
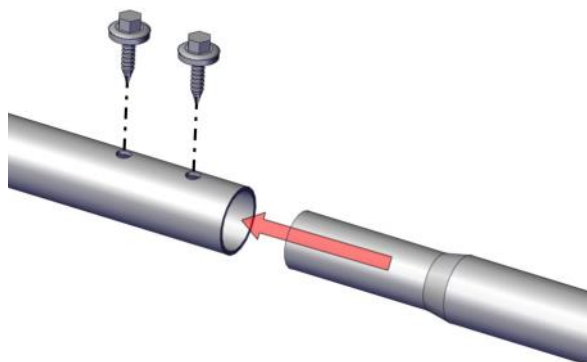
## Ridge Rails / Eaves Railing



Assemble the tube locking device on the bracket using M0x20 bolt + nut. The locking device is mounted on the outer side of the first and last bracket on each section.

The tube is pushed through the hole (max. protrusion: 300 mm) and locked in place with 1x 5.5x25 self-drilling screw.

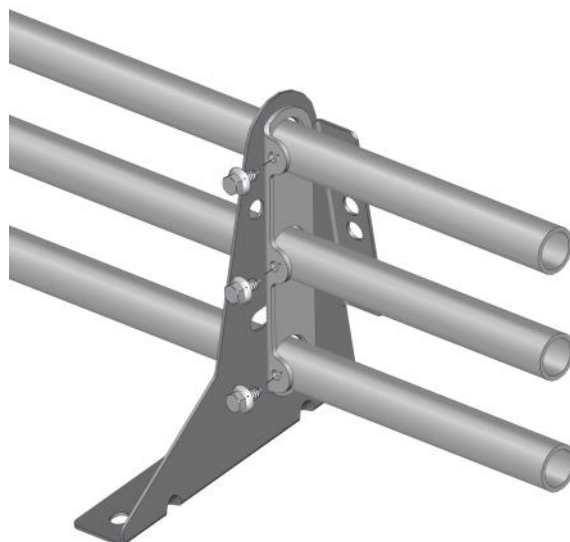
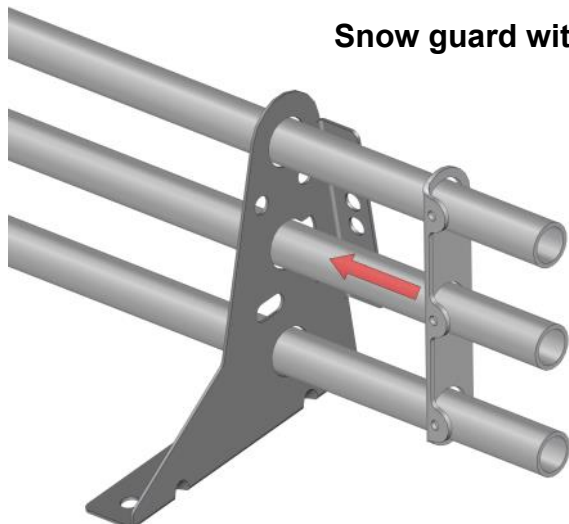
## Joining the tubes



The railing tubes are pushed into each other and locked in place using 5.5x25 self-drilling screw.

When assembling 90° bends (optional), lock in place with 5.5x25 self-drilling screw. a

## Snow guard with 3 tubes



The 3-tube locking device is pushed on and locked in place with 3 5.5x25 self-drilling screws. The locking device is mounted on the outer side of the first and last bracket on each section. Max. protrusion from the tube 300 mm.