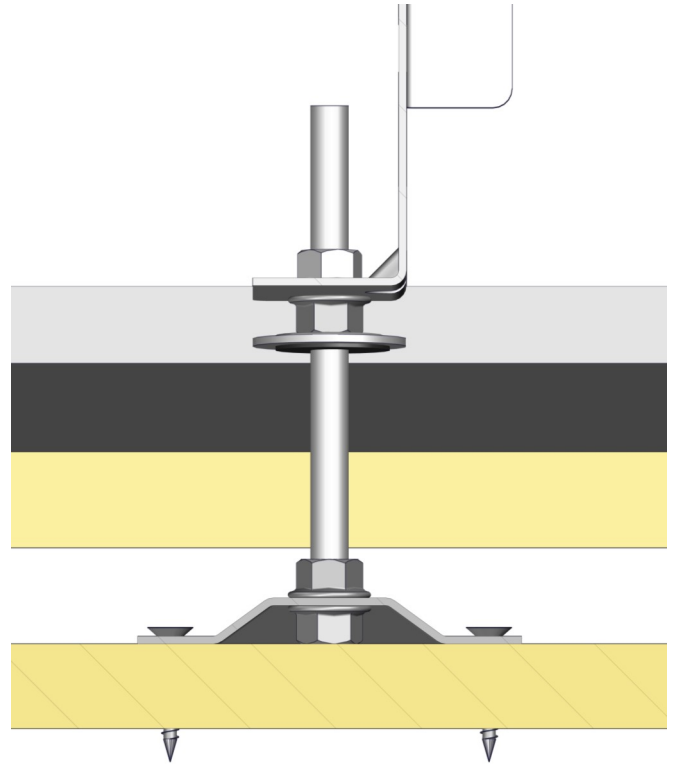
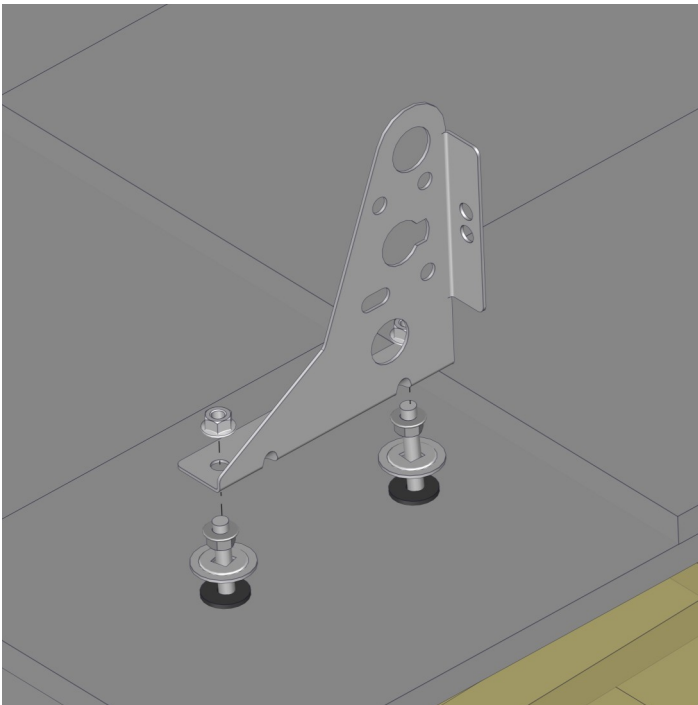


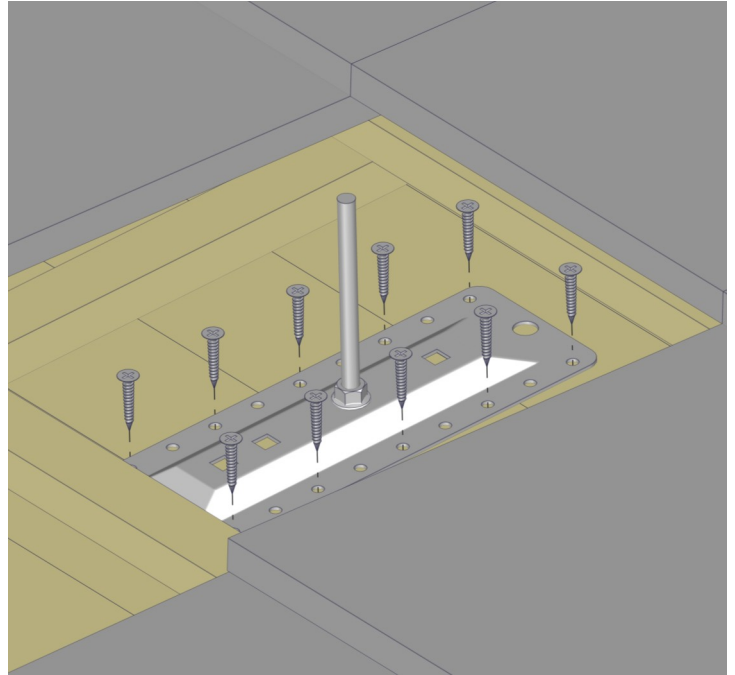
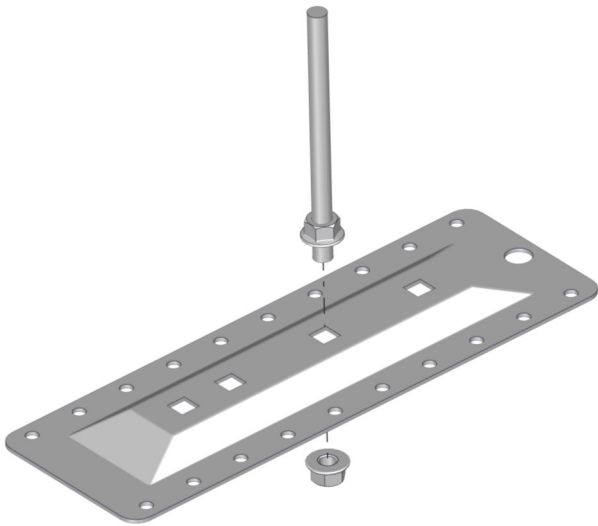
Lock the threaded rods to the footplate using double nuts. The length of the threaded rod is adjusted to the laths and profile height.

Screw the footplate to the under-roof using 10 6x35 mm wood screws. **NOTE! 2 screws at each end and the rest evenly distributed across the holes. Use a screwdriver with a deep stopper base so the screw doesn't go round and lose its grip.**



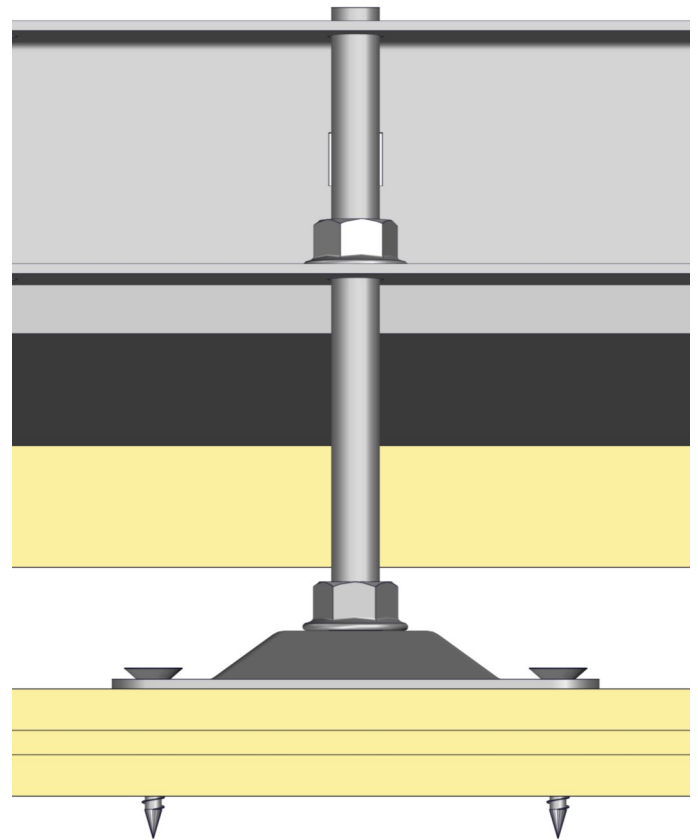
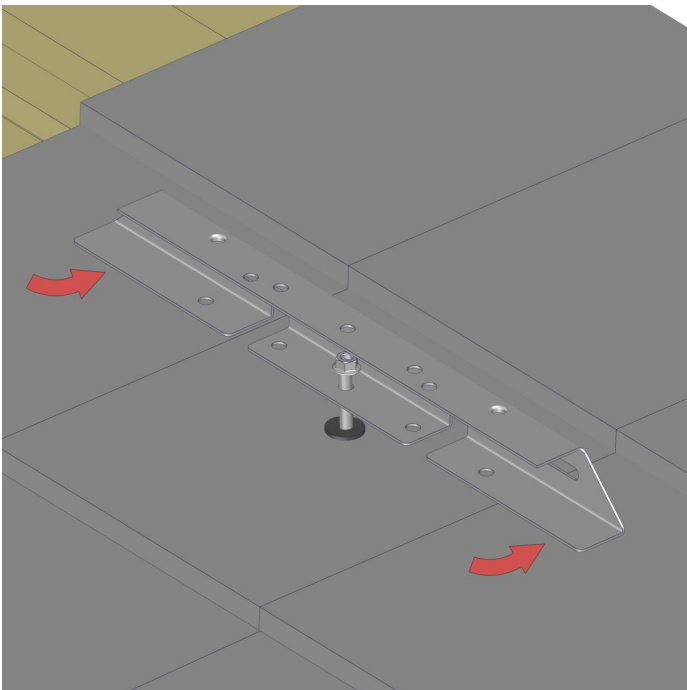
Assembly in cross-section

Drill holes in the tile and then assemble, using rubber washers and cover plates at the bottom. Tighten the bracket into place with nuts on the upper and lower sides. The pressure against the tile is regulated with the nuts above the cover plate.



Lock the threaded rod to the footplate using double nuts. The length of the threaded rod is adjusted to the laths and profile height.

Screw the footplate to the under-roof using 10 6x35 mm wood screws. NOTE! 2 screws at each end and the rest evenly distributed across the holes. **Use a screwdriver with a deep stopper base so the screw doesn't go round and lose its grip.**



Glue the rubber strip to the underside and assemble the spacer with rubber washer and nuts.

Assembly in cross-section