

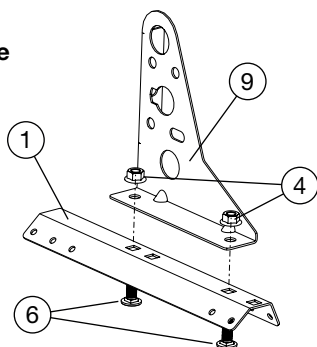
	Part	Part. no.
1	Fixing profile	IPxxxx
2	Fixing plate	TPxxxx
3	Staps	SS6191
4	Nut	BU1001

	Part	Part. no.
5	Bolt set	BS0010
6	Coach bolt	BV1030
7	U-bolt	RB0010
8	Rubber washer	GB0010

	Part	Part. no.
9	Bracket	

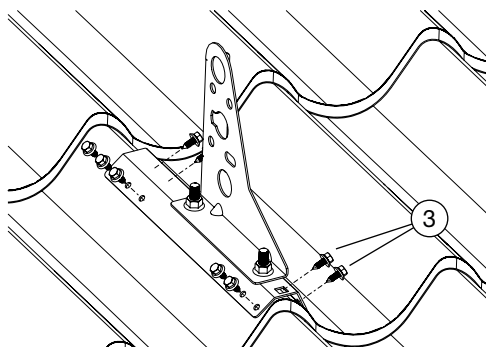
Max. distance between the brackets 1200 mm – Min. plate thickness 0.5 mm.

Fixing profile



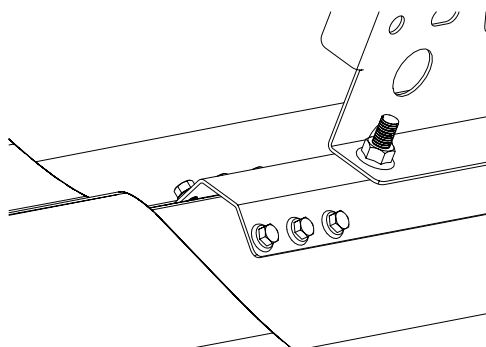
Assembly bracket

Assemble bracket for the fixing profile (1) using 2 M10x30 bolts + nuts (6,4).



Roof assembly

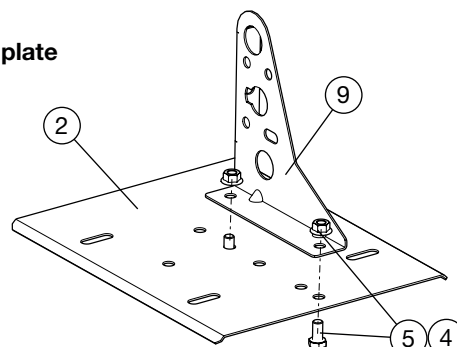
Screw the fixing profile to the spine of the roofing plate using 10 6.3x19 self-tapping plate screws (3). If the plate is 0.7 mm or thicker, 5.5x22 mm self-drilling screws can be used.



Seal

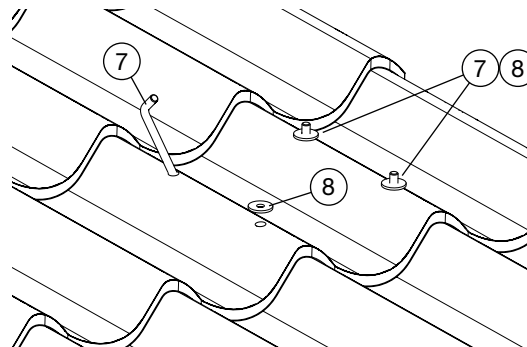
The air pocket at the top, between plate and profile, can be filled with sealing compound.

Fixing plate



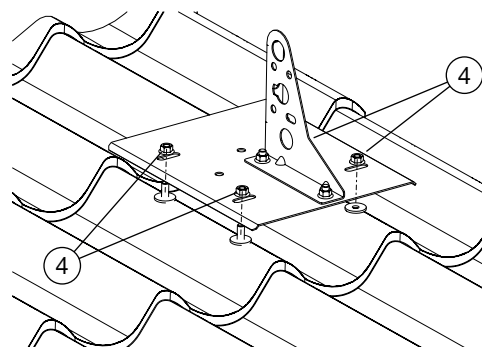
Assembly bracket

Assemble bracket for the fixing plate (2) using 2 M10x20 bolts + nuts (5,4).



The U-bolts

Drill holes for the U-bolts (7) and pass through the holes and assemble on rubber washers (8).



Final assembly

Then, assemble the fixing plate using 4 nuts (4).