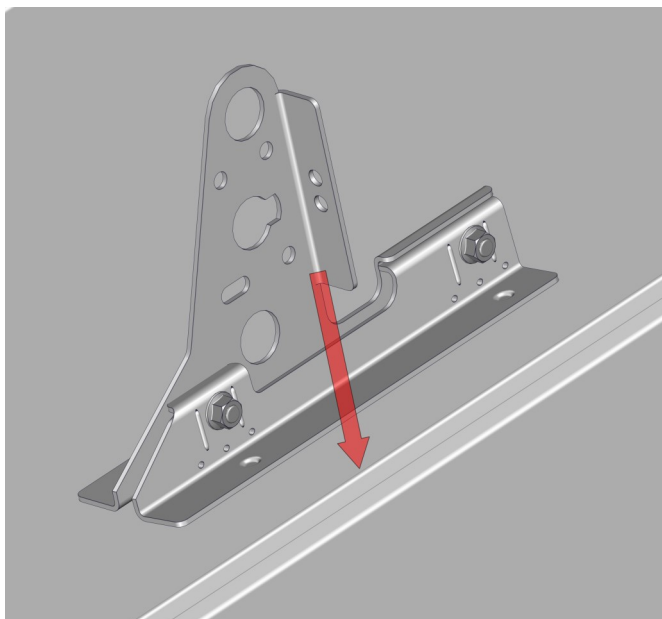
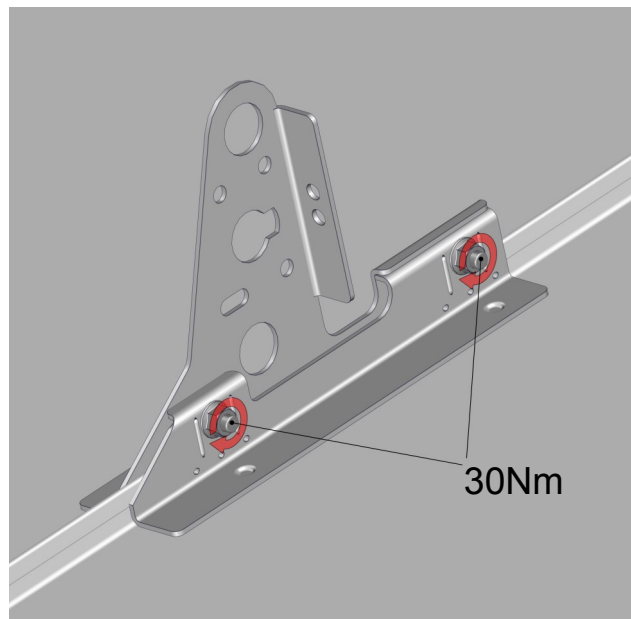


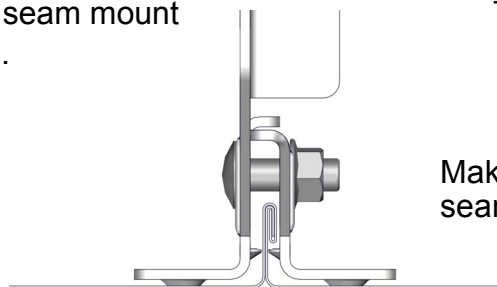
Double-folded sheet metal, min thickness: Steel plate 0.6 mm Copper plate 0.6 mm Zinc plate 0.7 mm  
Stainless steel plate 0.4 mm Aluminium plate 0,8 mm, Stainless steel seam welded plate 0,4 mm.



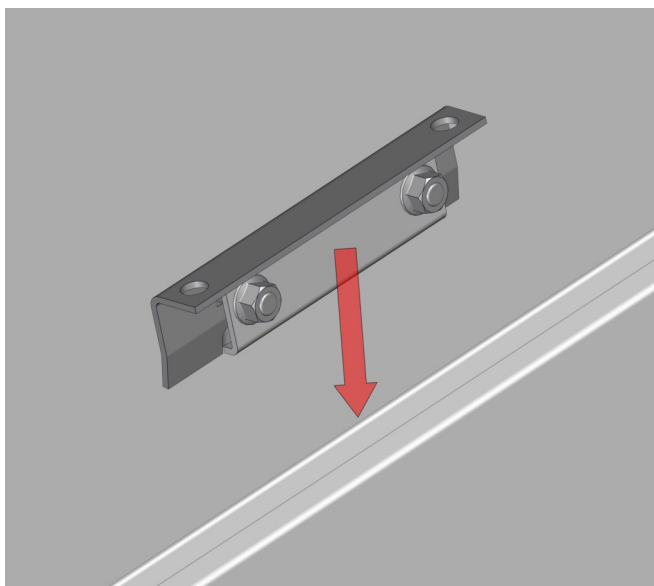
Mount the standing seam mount on the standing fold.



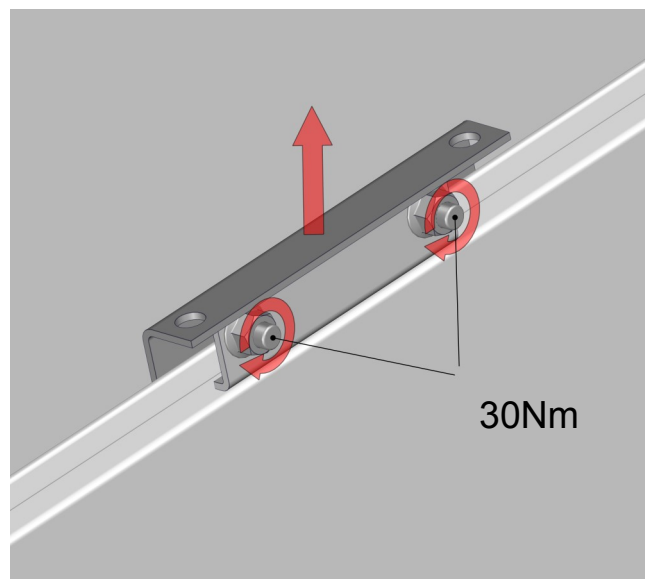
Tighten the nuts to at least **30Nm**.



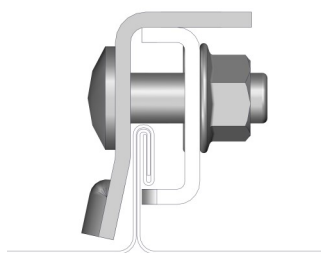
Make sure the teeth on the standing seam mount grip below the double-fold.



Mount the standing seam mount on the standing fold.



Pull up holder against the double-fold. Tighten the nuts to at least **30Nm**.



Make sure the teeth on the jaws grip below the seam's double-fold.

Rev. Date 150924