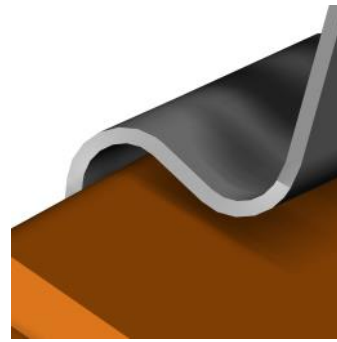
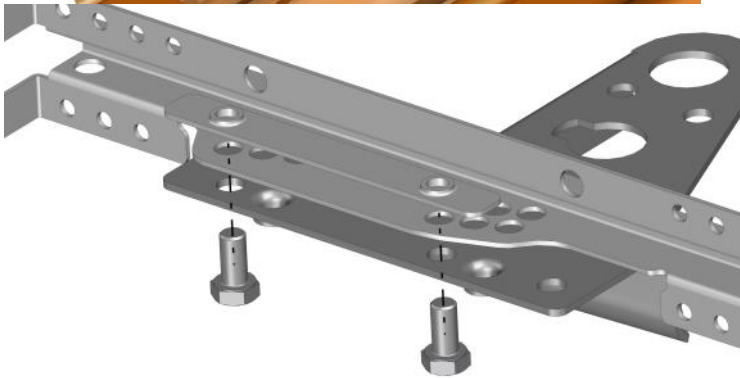


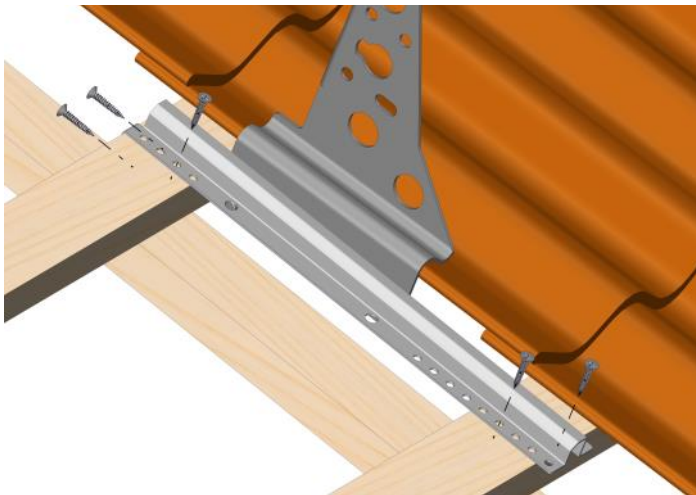
The laths must have dimensions 45x70 mm in at least strength class K12 and be screwed to each truss with hot dip galvanised wood screws 125x6 mm.



The height of the mount is adjusted to the underlying roofing tile, suitable gap 2-3 mm. Take note of the hole to be used.

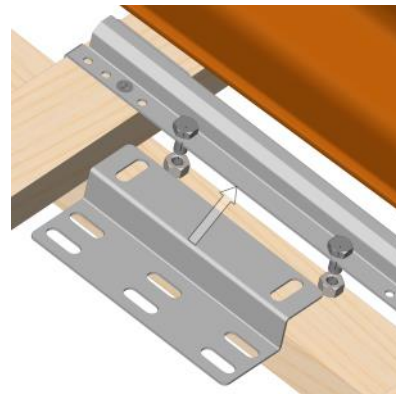


Assemble the mount to the bracket's **unthreaded** holes using 2 M10x20 in the holder plate.



Screw the mount into place using 5 stainless steel wood screws 6x35 as shown in the picture. **Battens that hold the lath mount are fastened to the trusses using hot dipped galvanised wood screws 125x6.**

Follow the tile manufacturer's advice on eventual notches in the tile.



### Assembly of roof ladder

Assemble the side displacement plate and fixing iron on to the mount using 3 M10x20 + nuts. Adjust the mount so it fits against the roofing tiles. Then screw 5 stainless steel wood screws into the batten and tighten the bolts.

